

SOLA



Features:

SOLA Flood light is constructed using Extrusion Aluminium Die cast body Cold Forging technology by ADC12, high Thermal Conductivity.
 High mechanical strength, excellent thermal management.
 Optical Polycarbonate Lenses provide high impact resistance and multiple lighting distributions.
 Breather valve , balance the internal and external pressure and humidity.
 Instant light up with no warm up time, no cool down needed before restart.
 Compact in size and easy for transportation.
 It offers intense brightness, narrow and wide coverage and durability.
 Excellent protection against dust and water ingress, suitable for harsh environments also strong impact resistance, ideal for areas prone to vandalism or accidental damage.

Technical Specifications:

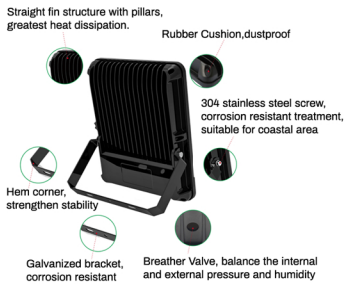
Wattage : 10-250W
 Input Voltage : 100-277VAC 50/60Hz
 High Lumen : 150lm/W
 3 STEP Mac Adam
 Meanwell / Philips / Sosen
 Lamp Type : 3030 Lumiled SMD
 Operating Temperature: -20°C to 55°C
 Warranty : 5 Years
 Life Time : 50,000hrs at ta 35°C L80 / B10

Fields of Application :

Airport
 Parking Lot
 Tower Crane
 Sport Venue
 Coastal areas
 Landscape etc

Installation Method :

Surface Mounted



| | | | | | | | | |
|------------|---|----------|---------|-------|-------|-------|-------|-----|
| Wattage(W) | : | 10 | 20 | 30 | 50 | 100 | 150 | 250 |
| Finish | : | Black(B) | Grey(G) | | | | | |
| Kelvin* | : | 2700K | 3000K | 4000K | 5000K | 5700K | 6500K | |
| Beam Angle | : | 120° | | | | | | |
| CRI | : | 80+ | | | | | | |
| Driver | : | ON/OFF | 0/1-10V | | DALI | | | |

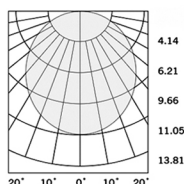
*Special Color & Finish on request

Product Code (545385250):

| Wattage | Lumens(lm) | Dimension(mm) |
|---------|------------|---------------|
| 10 | 1,500LM | 129x99x44 |
| 20 | 3,000LM | 175x135x44 |
| 30 | 4,500LM | 215x175x47 |
| 50 | 7,500LM | 275x225x48 |
| 100 | 15,000LM | 325x275x53 |
| 150 | 22,500LM | 385x305x58 |
| 200 | 30,000LM | 465x354x65 |
| 250 | 37,500LM | 465x354x65 |

*Luminous flux value is calculated for 4000K CRI>80

Photometric:



Standards

EN 60598-1

EN 60598-2-2

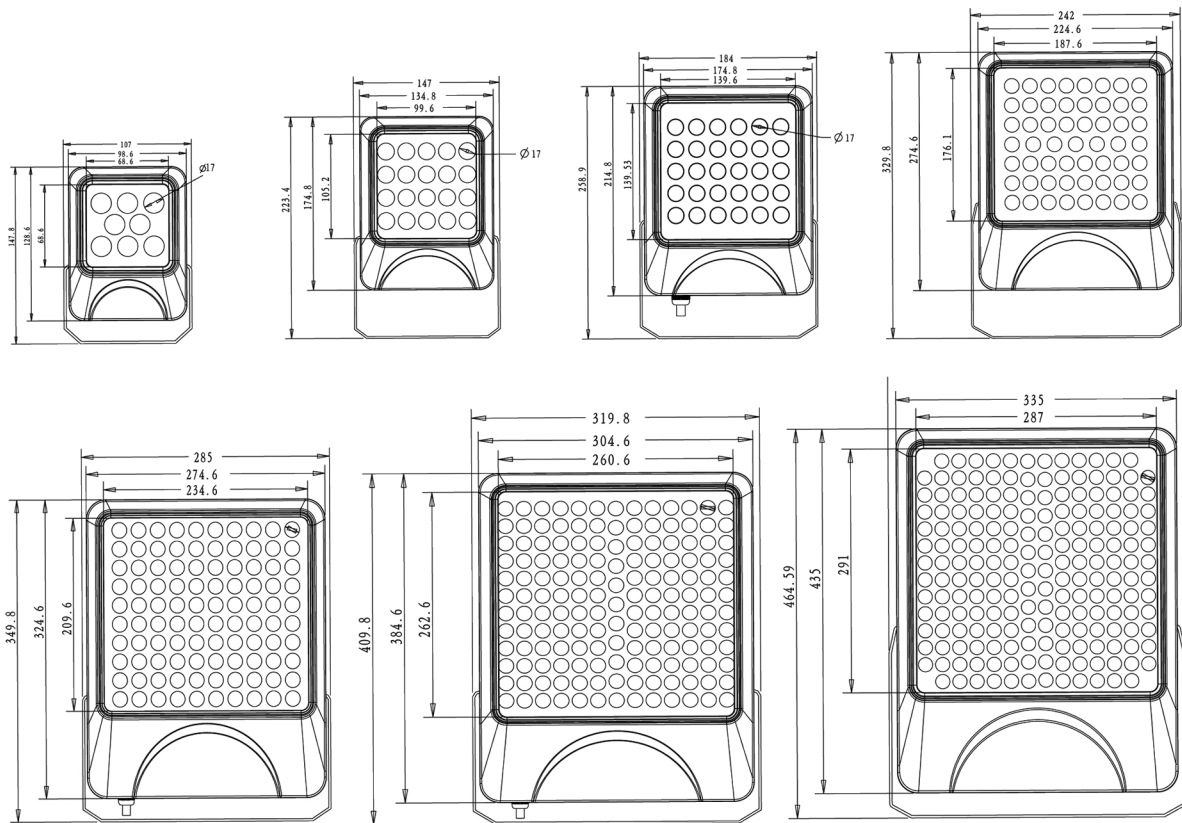
EN 60598-3-2

Order Code Ex : 545385250 27K 120D 8 1 B

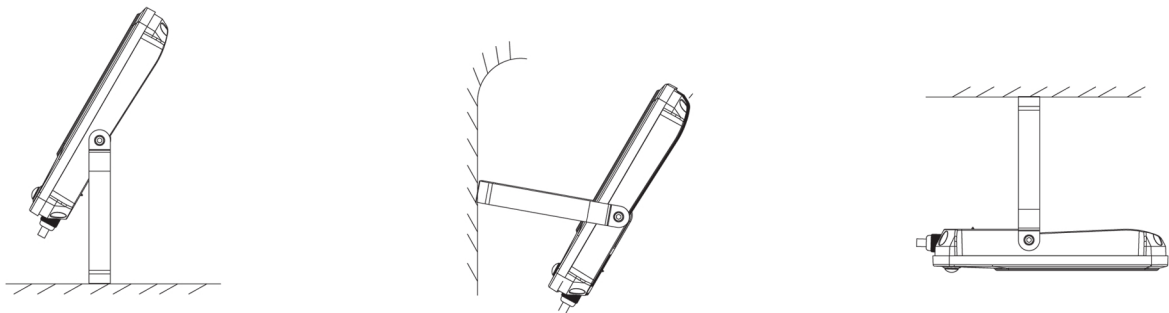
| CCT | Beam Angle | CRI | Driver | Finish |
|--|------------|-------|---------------------------------|---------------------|
| 27K-2700K 30K-3000K 40K-4000K 50K-5000K 57K-5700K 65K-6500K | 120D-120° | 8->80 | 1-ON/OFF 2-0/1-10V 3-DALI | Black(B) Grey(G) |

Pluxb luminaires are developed with globally recognized and tested components suppliers, however as per international standards tolerance in initial flux and connected load is at ±5%. Unless stated otherwise, the values apply to an ambient temperature of 25°C

MECHANICAL DRAWING



INSTALLATION



Pluxb luminaires are developed with globally recognized and tested components suppliers, however as per international standards tolerance in initial flux and connected load is at $\pm 5\%$. Unless stated otherwise, the values apply to an ambient temperature of 25°C