

## SENARA



### Features:

SENERA Flood light is constructed using Extrusion Aluminium Die cast body Cold Forging technology with by ADC12, Anti rust, high Thermal Conductivity. High mechanical strength, excellent thermal management. Optical Polycarbonate Lenses provide high impact resistance and multiple lighting Distributions. High strength Tempered glass optional, further reduce UV and anti-rust, typically use for coastal areas. Widely adjustable mounting bracket with degree indicator. It offers intense brightness, wide coverage and durability. Excellent protection against dust and water ingress, suitable for harsh environments also strong impact resistance, ideal for areas prone to vandalism or accidental damage.

### Technical Specifications:

Wattage : 400-2400W  
 Input Voltage : 100-277VAC 50/60Hz  
 High Lumen : 150lm/W  
 3 STEP Mac Adam  
 Meanwell / Philips / Sosen  
 Lamp Type : 3030 Lumiled SMD  
 Operating Temperature: -20°C to 55°C  
 Warranty : 5 Years  
 Life Time : 60,000hrs at ta 35°C L80 / B10

### Fields of Application :

Airport  
 Stadium  
 Athletic field  
 Sport Venue  
 Exhibition centre  
 Coastal areas etc

### Installation Method :

Surface Mounted

Wattage(W)	:	400	500	600	800	1000	1200	1500	1800	2000	2400
Finish	:	Black(B)		Grey(G)							
Kelvin*	:	2700K	3000K	4000K	5000K	5700K	6500K				
Beam Angle	:	10°	25°	45°	60°	90°	Symmetric		Asymmetric		
CRI	:	70+	80+								
Driver	:	ON/OFF		0/1-10V		DALI					

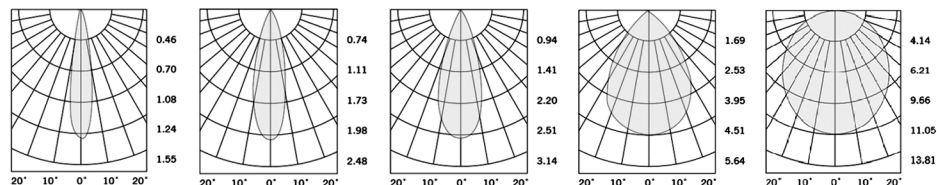
\*Special Color & Finish on request

### Product Code (5457752400):

Wattage	Lumens(lm)	Dimension(mm)
400	60,000LM	775x290x230
500	75,000LM	775x290x230
600	90,000LM	775x290x230
800	120,000LM	775x420x393
1000	150,000LM	775x420x393
1200	180,000LM	775x420x393
1500	225,000LM	775x535x547
1800	270,000LM	775x535x547
2000	300,000LM	775x613x717
2400	360,000LM	775x613x717

\*Luminous flux value is calculated for 4000K CRI>80

### Photometric:



### Standards

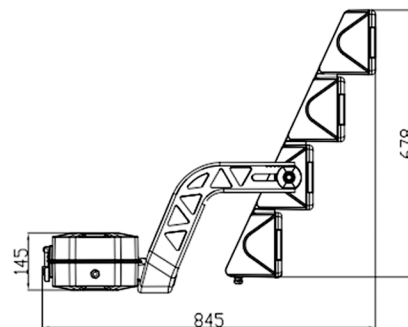
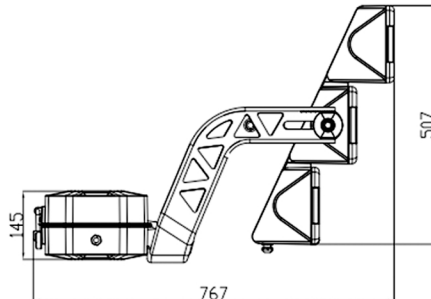
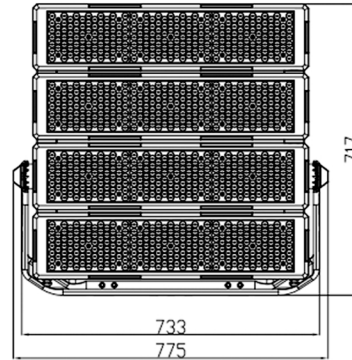
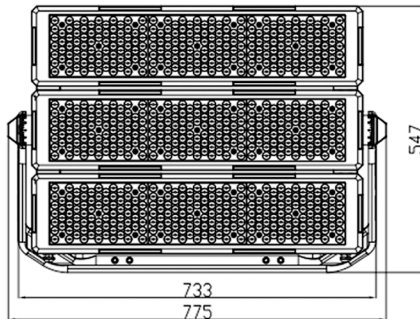
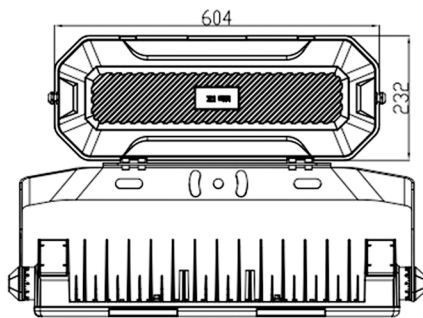
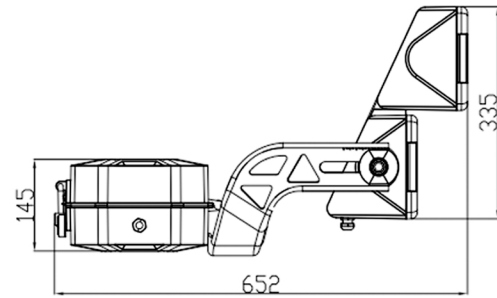
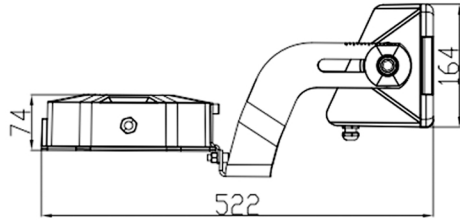
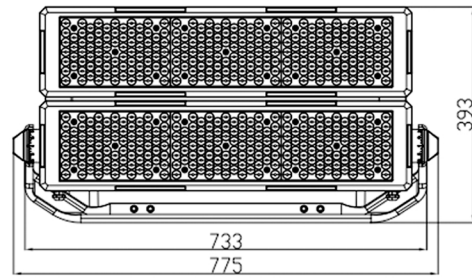
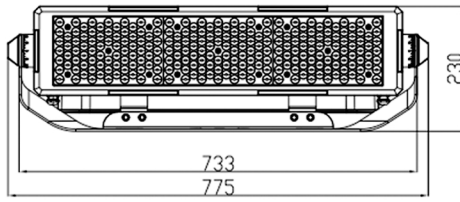
- EN 60598-1
- EN 60598-2-2
- EN 60598-3-2

Pluxb luminaires are developed with globally recognized and tested components suppliers, however as per international standards tolerance in initial flux and connected load is at ±5%. Unless stated otherwise, the values apply to an ambient temperature of 25°C

Order Code Ex : 5457752400 27K 10D 7 1 B

CCT	Beam Angle	CRI	Driver	Finish
27K-2700K	10D-10°	7->70	1-ON/OFF	Black(B)
30K-3000K	25D-25°	8->80	2-0/1-10V	Grey(G)
40K-4000K	45D-45°		3-DALI	
50K-5000K	60D-60°			
57K-5700K	90D-90°			
65K-6500K	SY-Symmetric			
	ASY-Asymmetric			

# MECHANICAL DRAWING



Pluxb luminaires are developed with globally recognized and tested components suppliers, however as per international standards tolerance in initial flux and connected load is at  $\pm 5\%$ . Unless stated otherwise, the values apply to an ambient temperature of  $25^{\circ}\text{C}$