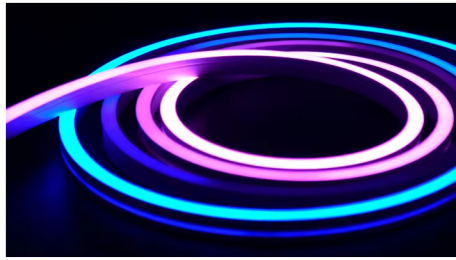


SCUBA RGB SPI



DESCRIPTION:

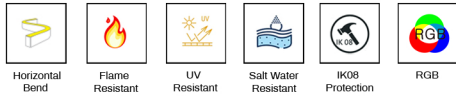
SCUBA RGB SPI horizontal bend series constructed using Silicon extrusion process. Uniform, dot free light emission, good appearance consistency. Anti-yellowing, high temperature and corrosion resistance, weak acid and alkali resistance UV proof for true outdoor applications. Easy installation with clips and bendable track. Cuttable for Flexible application. Control mode : SPI

TECHNICAL DETAILS:

Power : 5-13W/M
 Voltage : DC24V
 CRI >90
 Length/Reel : 5M/10M
 Cutting length: 100mm
 Led Qty : 60LEDs/M
 Working Temperature : -25~55°C
 Storage Temperature : -30~80°C
 Voltage Range : 23 ~25V dc
 Reverse Voltage : 25V dc
 Warranty : 5 years

LUMENS PER METER:

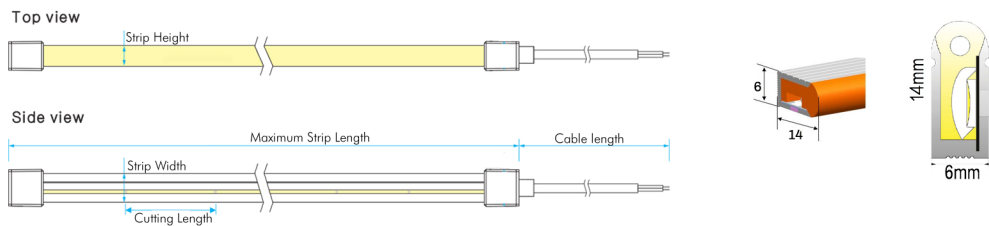
CCT	RGB
5W	50lm
8W	80lm
13W	130lm



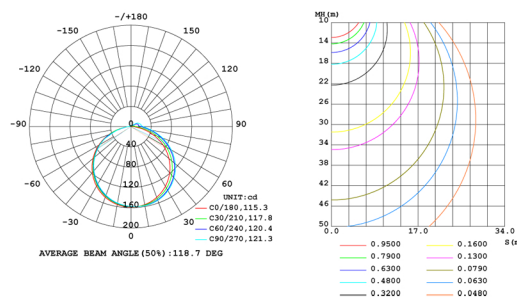
INSTALLATION : Horizontal Bend

Product Code : 8770614

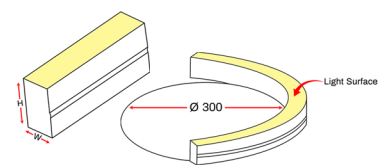
DIMENSION:



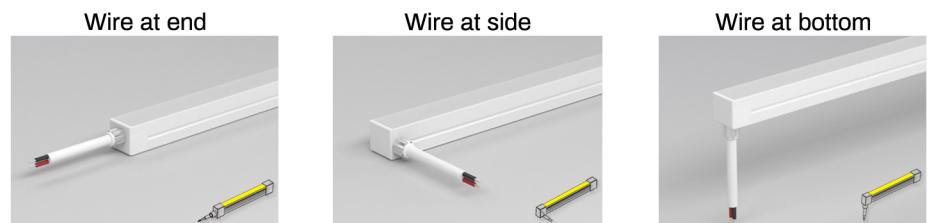
LIGHT DISTRIBUTION:



BENDING:



End cap



Standards

- EN 60598-1
- EN 60598-2-2
- EN 60598-3-2

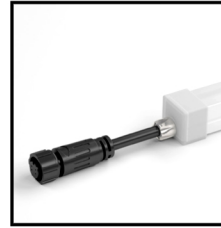
Order Code Ex : 8770614	13	87
Product Code	Power	CCT
8770614	05-5W 08-8W 13-13W	87-RGB SPI

Pluxb luminaires are developed with globally recognized and tested components suppliers, however as per international standards tolerance in initial flux and connected load is at ±5%. Unless stated otherwise, the values apply to an ambient temperature of 25°C

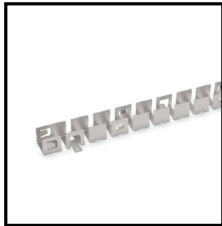
ACCESSORIES



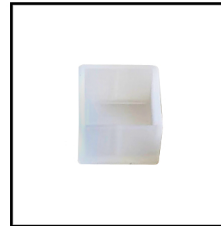
Aluminium Profile
Order Code: 8770614-01
Dimension: L1000*W7.6*H14.5mm
Material: aluminium
Color: silver



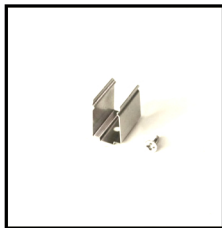
End Cap 3PIN Digital
Order Code: 8770614-06
Color: white
Cable entry: front/side/bottom
Picture: front



Curved Profile
Order Code: 8770614-02
Dimension: L1000*W7*H12mm
Material: stainless steel
Color: silver



Closed End Cap
Order Code: 8770614-07
Material: silicone
Color: white



Mounting Clips
Order Code: 8770614-03
Dimension: L20*W7.9*H13.6mm
Material: stainless steel
Color: silver
Each meter led strips needs
2 clips + 2 screws



IP67 Signal Connector
Order Code: 8770614-08
Wire Gauge: 0.326mm²/22AWG
Protection: IP67 (Mated)



IP67 Connector 3PIN Digital
Order Code: 8770614-04
Wire gauge: 0.326mm²/22AWG
Protection: IP67 (Mated)



IP67 T Type Connector
Order Code: 8770614-09
Wire Gauge: 0.326mm²/22AWG
Protection: IP67 (Mated)

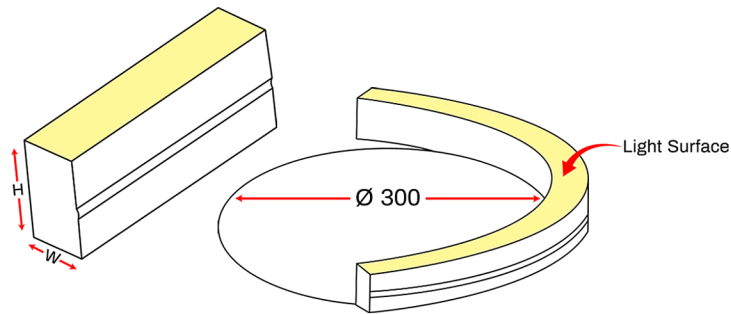


IP67 Connector 3PIN Digital
Order Code: 8770614-05
Wire gauge: 0.326mm²/22AWG
Protection: IP67 (Mated)

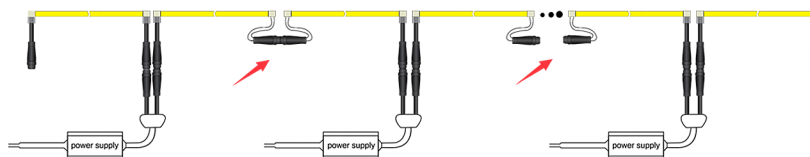


Scissor
Order Code: 8770614-10

ADDITIONAL INFO.



- ▶ Please light it up for a quick check before installation.
- ▶ Bending diameter of SCUBA RGB SPI 0614 is 300mm, do not bend to side direction, or bend too sharp or twist. If bend it wrongly, PCB inside will be damaged and the lighting fixture will not turn on.
- ▶ During installation, please make sure there are at least two workers to cooperate together and strictly follow the instruction manuals.
- ▶ Warranty: All LED light are warranted to be free from defects in product itself for 5 years from the date of purchase. This warranty does not cover failures due to abuse, misuse, improper handling, act of nature, negligence, normal wear, accidental damage, repairs made by the purchaser or incorrect voltage conditions.



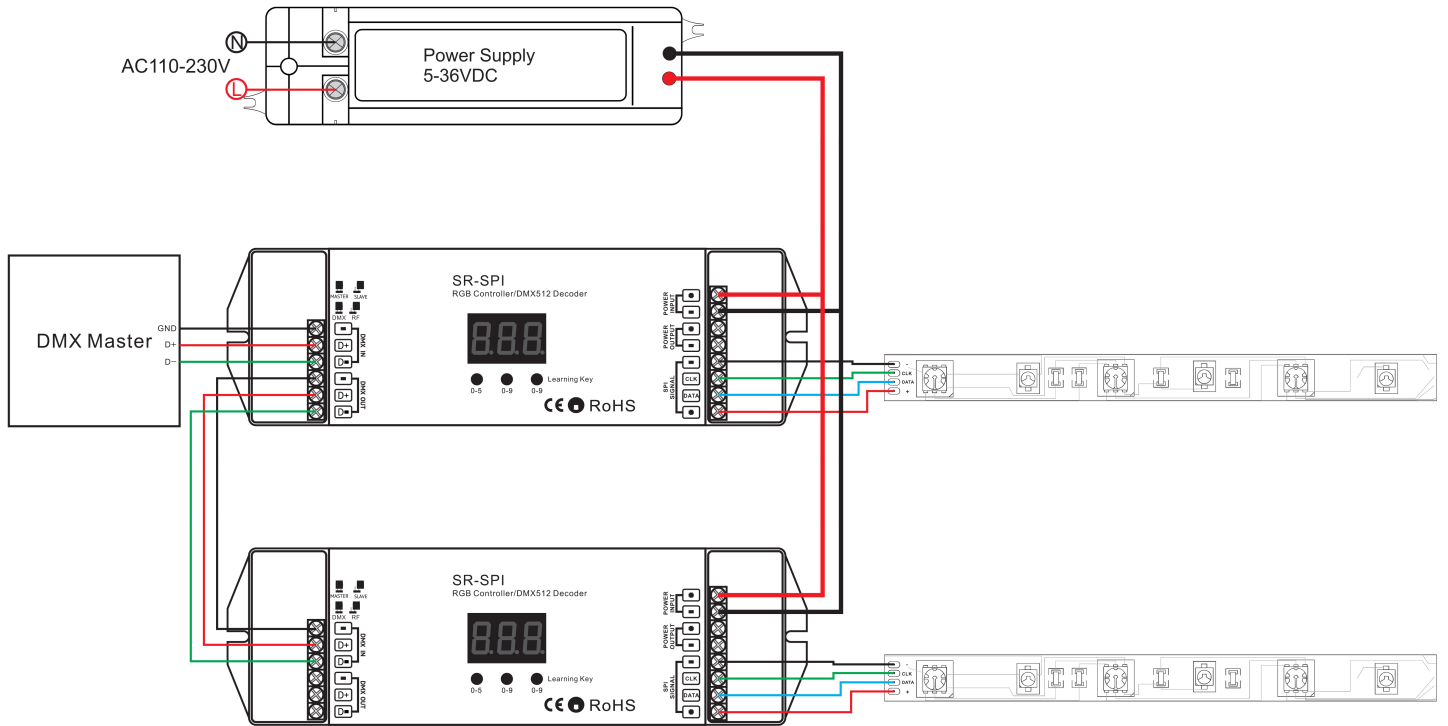
Note:

- 5W/M Max. 10mtr run length to single side feed.
- 8W/M Max. 10mtr run length to single side feed.
- 13W/M Max. 7mtr run length to double side feed.

-The given data are typical values due to the tolerances of the production process and the electrical components, values for light output and electrical power can vary up to 5%.

WIRING DIAGRAM

SPI

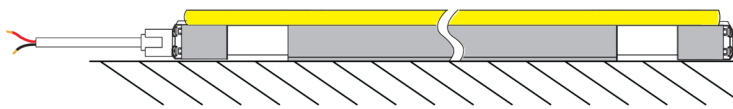
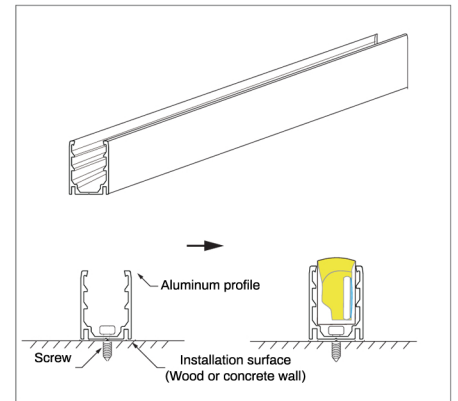


GENERAL MOUNTING

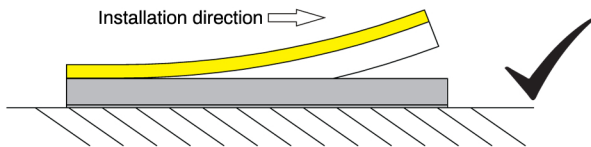
LED neon flex can be fastened to surfaces using appropriate accessories available from distributor. Please refer to data sheets or contact technical support for a copy. The use of glues and resins as fixing agents should be avoided. Use of glues and resins may invalidate the warranty of the product unless its use is agreed in writing by distributor as part of a detailed project specification.

The images indicate one type of fixing available in the accessories range. The different fixings serve obvious purposes, however when in doubt technical support should be contacted.

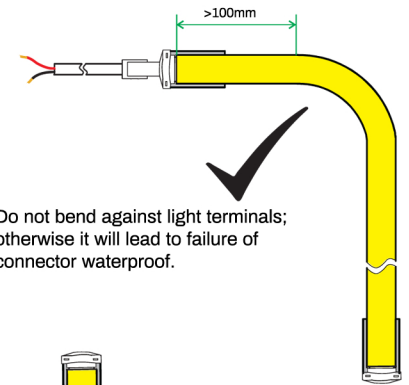
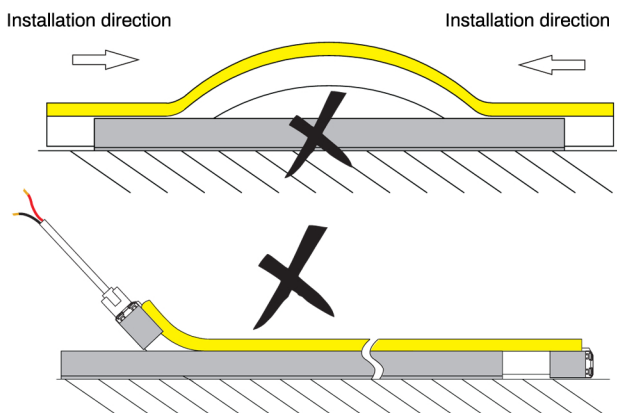
Quantities of accessories and fixings are dependent on the type and its effect on the variant it's being used with. Care should be taken to ensure drooping is avoided, and to ensure that is fastened adequately to avoid stresses on itself.



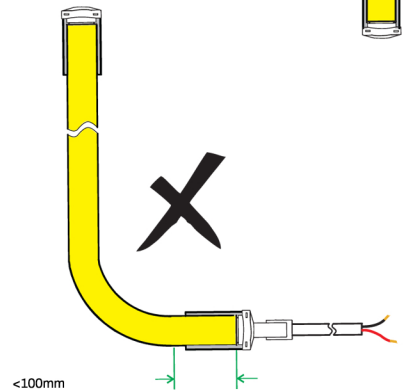
Press the flex light into mounted aluminum channel in one direction.



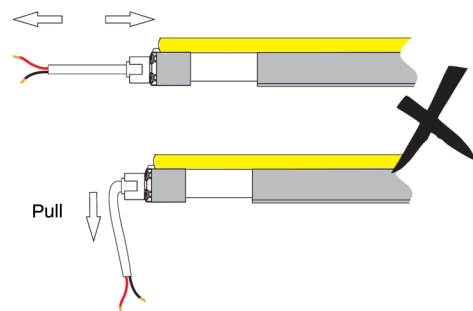
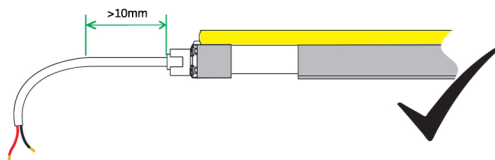
Incorrect installation like below picture could lead to light failure.



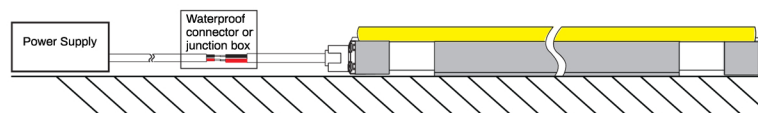
Do not bend against light terminals; otherwise it will lead to failure of connector waterproof.



Ensure the feeding cable not bear force, keep the head 10mm in natural loose.

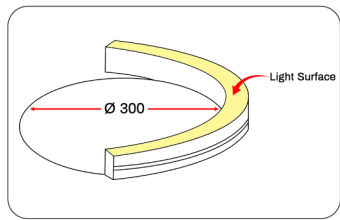


Mount the cable junction in hermetic enclosure like waterproof junction box in outdoor application.



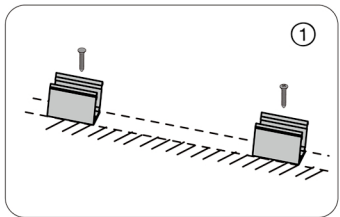
INSTALL

Attention



1. Correct bending way

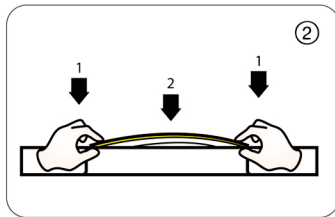
Intallation



1. Installation of clip

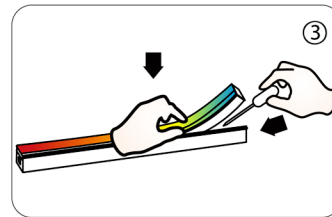
Fix the clips and aluminum profile via the screws

⚠ Suggestion: 2pcs clips per meter.



2. Installation of Neon

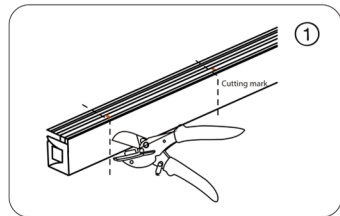
Simultaneously install the neon from both ends



3. Installation of Neon

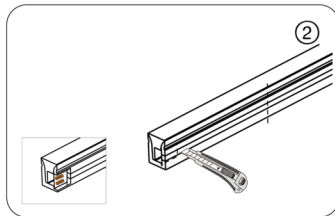
Should use tools to assist when remove the neon

Cutting/Soldering/Intall end cap

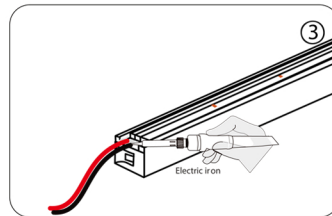


1. Cut the neon to be required length

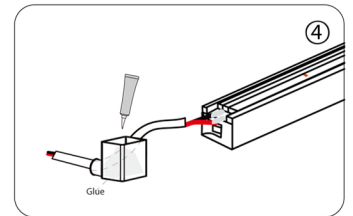
⚠ The minimum cutting unit is based on the cutting mark.



2. Cut the side of neon, expose the soldering pad

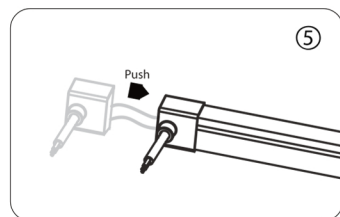


3. Solder the cable onto the PCB



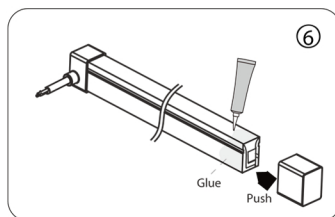
4. Put the wire into and inject glue into the end cap

⚠ The amount of glue is about 1/3-1/2 of end cap



5. Push the end cap to wrap end of neon

⚠ After the glue is injected, the neon needs to be laid flat for 2 hours to before other process.



6. Apply gel around the tail of neon and install the end cap

⚠ After the glue is injected, the neon needs to be laid flat for 2 hours to before project process. Glue will complete dry after 24hours.

