

RIBBON RGB



Features :

RIBBON RGB strip light equipped with high-lumen SMD LEDs, that features red, green, and blue (RGB) LEDs. By combining these three colors, the strip can produce a wide range of colors and lighting effects. Perfect for both residential and commercial applications, this LED strip light delivers high-quality lighting with energy efficiency. 100,000 Switching cycles. Bending Diameter Ø60mm.

Control mode : DALI / DMX / SPI.

RGB : No individual control of each LED (all LEDs change to the same color at once).

RGB DMX : Allows for more precise control of sections of the strip, using the DMX512 protocol and can create dynamic lighting effects.

RGB SPI : Allows for individual LED control, meaning each LED can display a different color, Controlled via SPI (Serial Peripheral Interface) communication.

Technical Details :

- Power : 21W/M
- Voltage : DC24V
- CRI > 90
- Led Qty : 84LEDs/M
- Cutting length: 71.4mm
- Pixels : 12 pixels/M
- Length/Reel : 5M
- Working Temperature : -20~45°C
- Storage Temperature : -30~80°C
- Voltage Range : 23 ~25V dc
- Reverse Voltage : 25V dc
- Warranty : 5 years

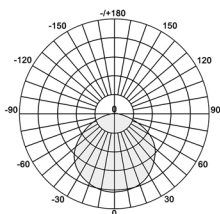
Fields Of Application :

- Retail
- Desk Light
- Living spaces
- Galleries hotels
- Reception areas
- Stairway Lighting
- Home/Office Light
- Commercial Interior

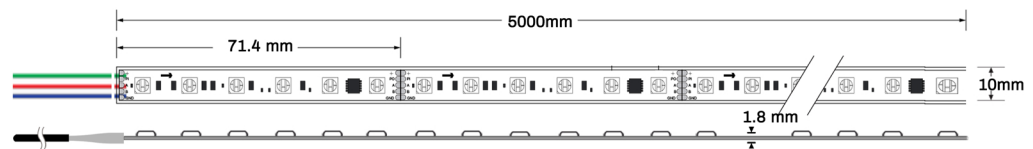
Product Chart :

Product Code	Rg	Max. Power (W/M)	CCT	Luminous Flux
930022184	96	21	RGB	1260

Photometric :



Dimension :



PCB Width : 10mm
Strip Width : 10mm
Strip Height : 1.8mm

Standards :

- EN 60598-1
- EN 60598-2-2
- EN 60598-2-22
- EN 60598-3-2

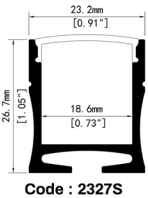
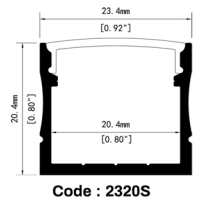
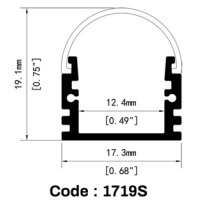
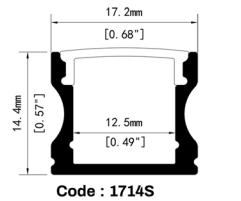
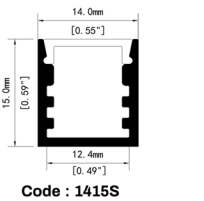
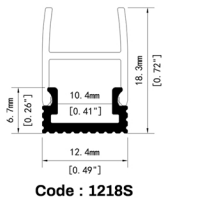
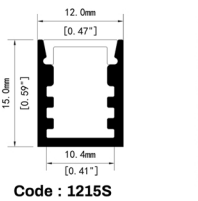
Order Code Ex : 930022184	92
Product Code 930022184	CCT
	92-RGB
	93-RGB DMX
	87-RGB SPI

Pluxb luminaires are developed with globally recognized and tested components suppliers, however as per international standards tolerance in initial flux and connected load is at ±5%. Unless stated otherwise, the values apply to an ambient temperature of 25°C

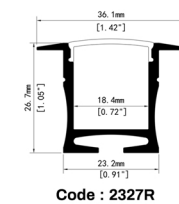
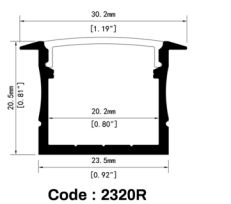
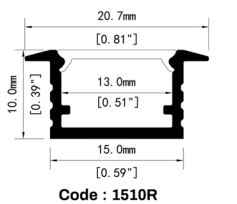
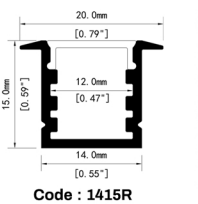
ALUMINUM PROFILE LIST

Housing : Extruded aluminium profile with opal PC diffuser and SS clips

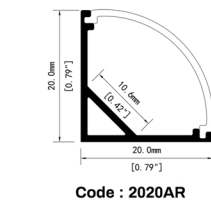
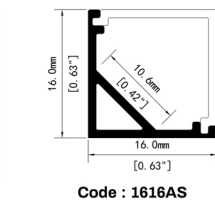
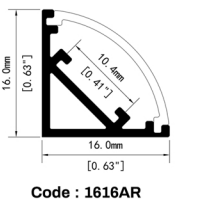
Surface Mounted Profile :



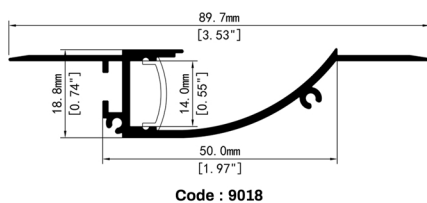
Recessed Mounted Profile :



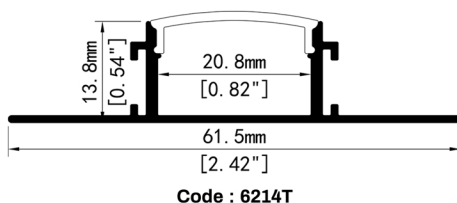
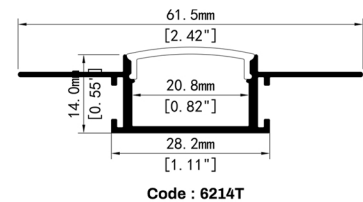
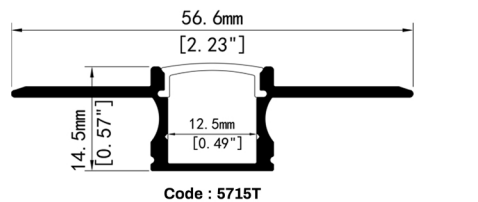
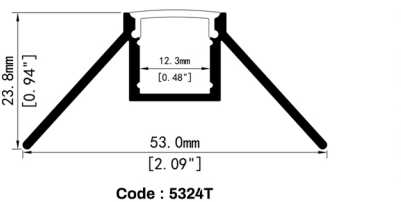
Angular Mounted Profile :



Staircase Profile :



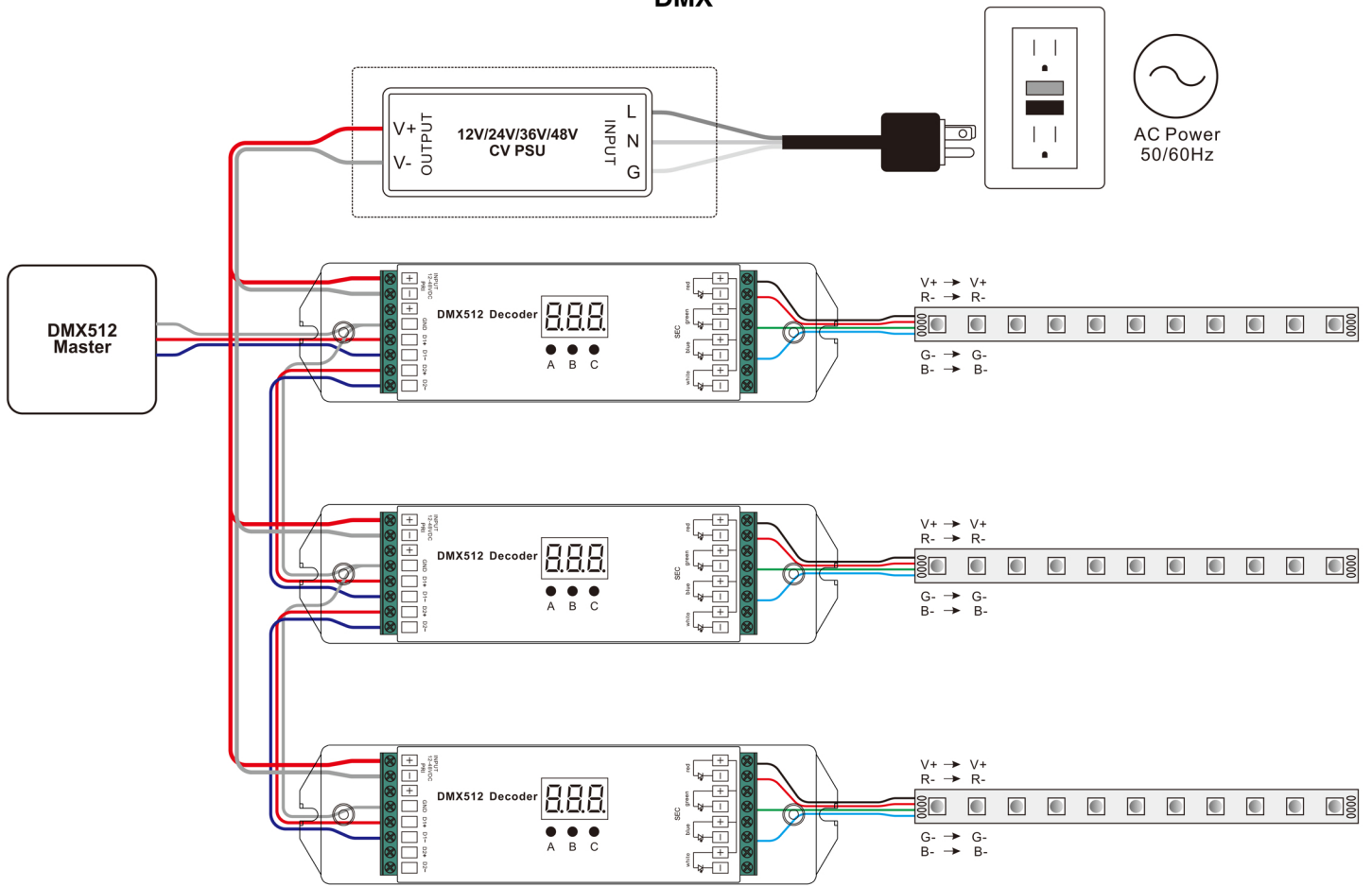
Trimless Profile :



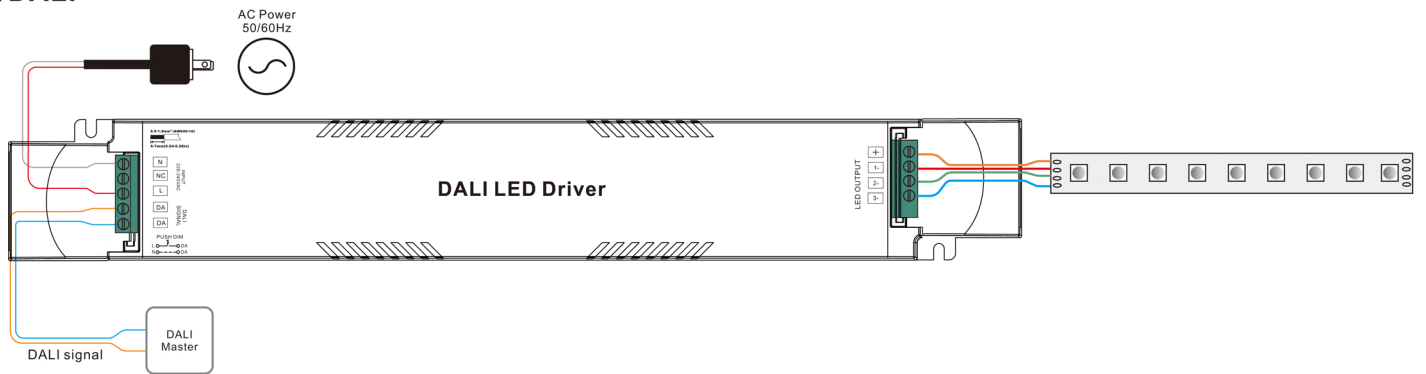
Pluxb luminaires are developed with globally recognized and tested components suppliers, however as per international standards tolerance in initial flux and connected load is at ±5%. Unless stated otherwise, the values apply to an ambient temperature of 25°C

WIRING DIAGRAM

DMX



1. DALI

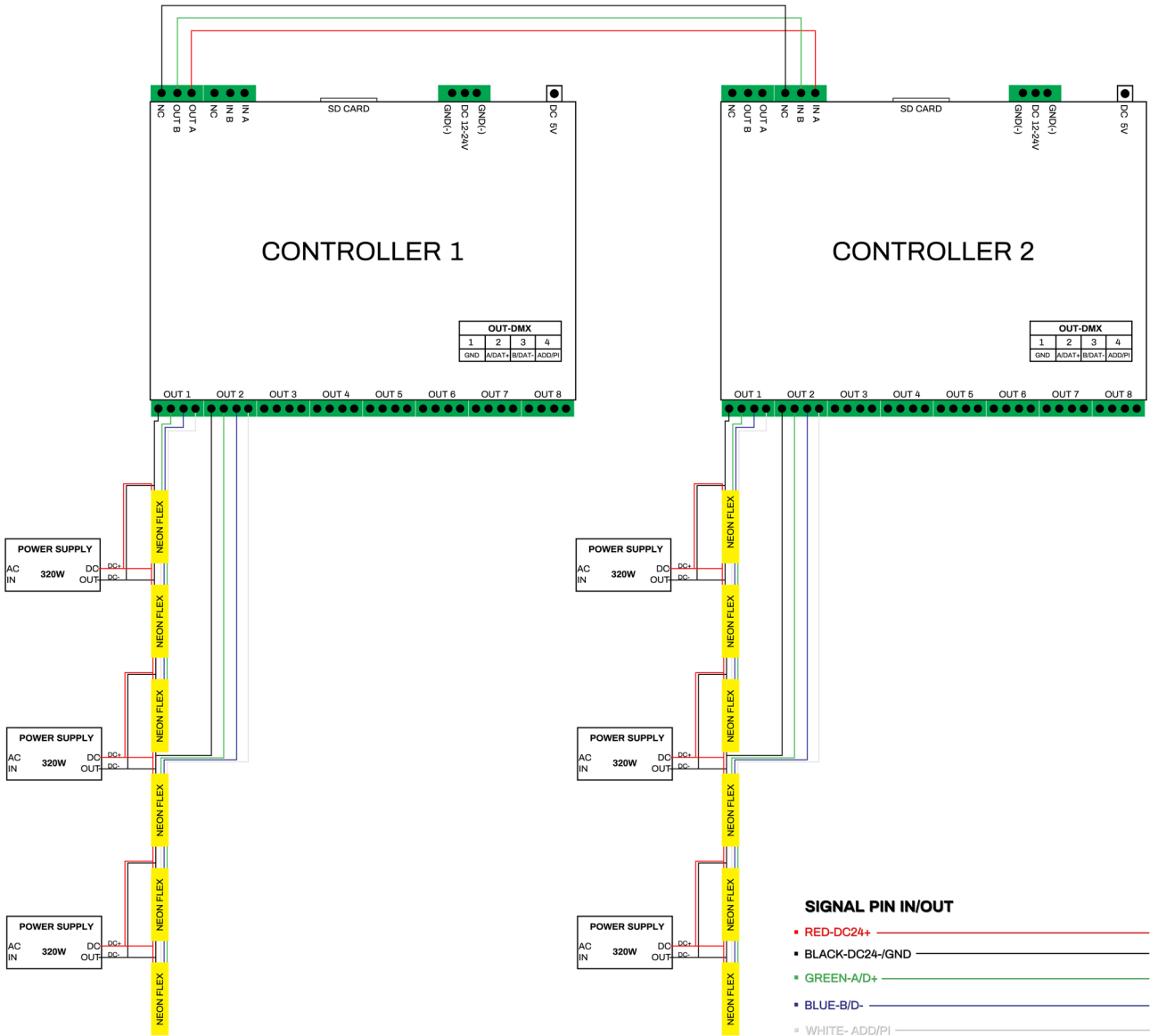


2. With Push Dim

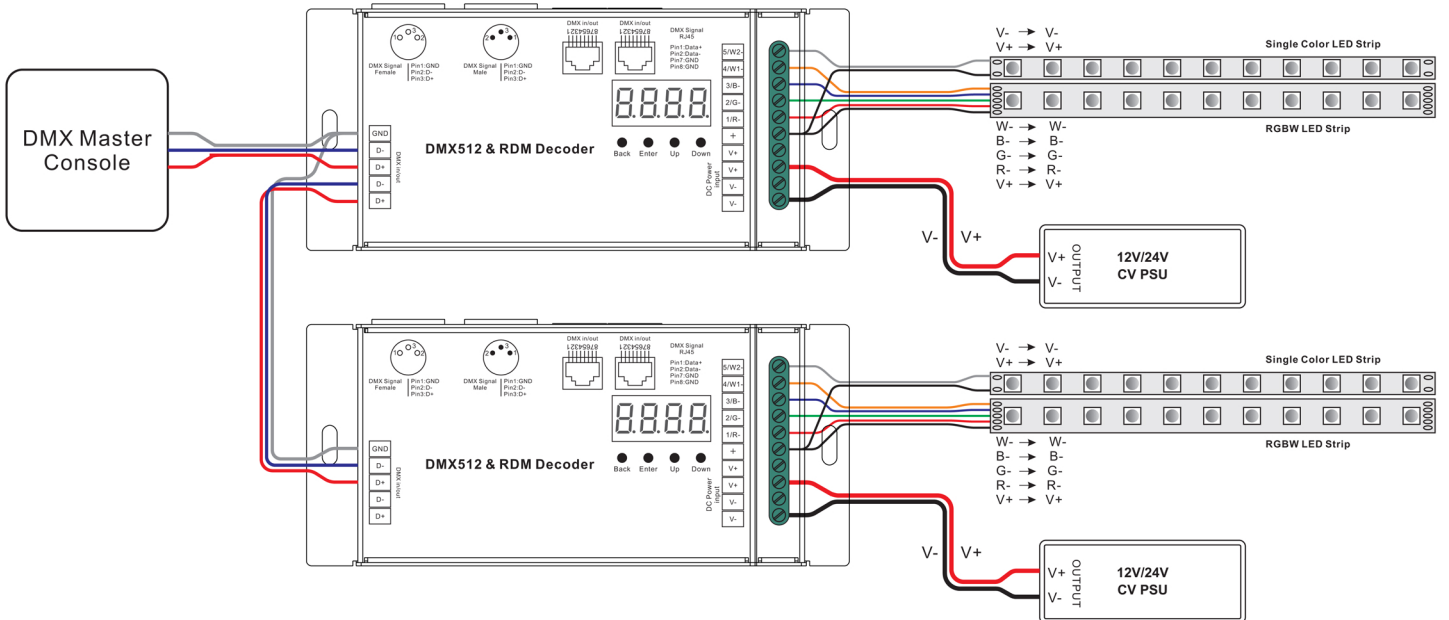


WIRING DIAGRAM

DMX

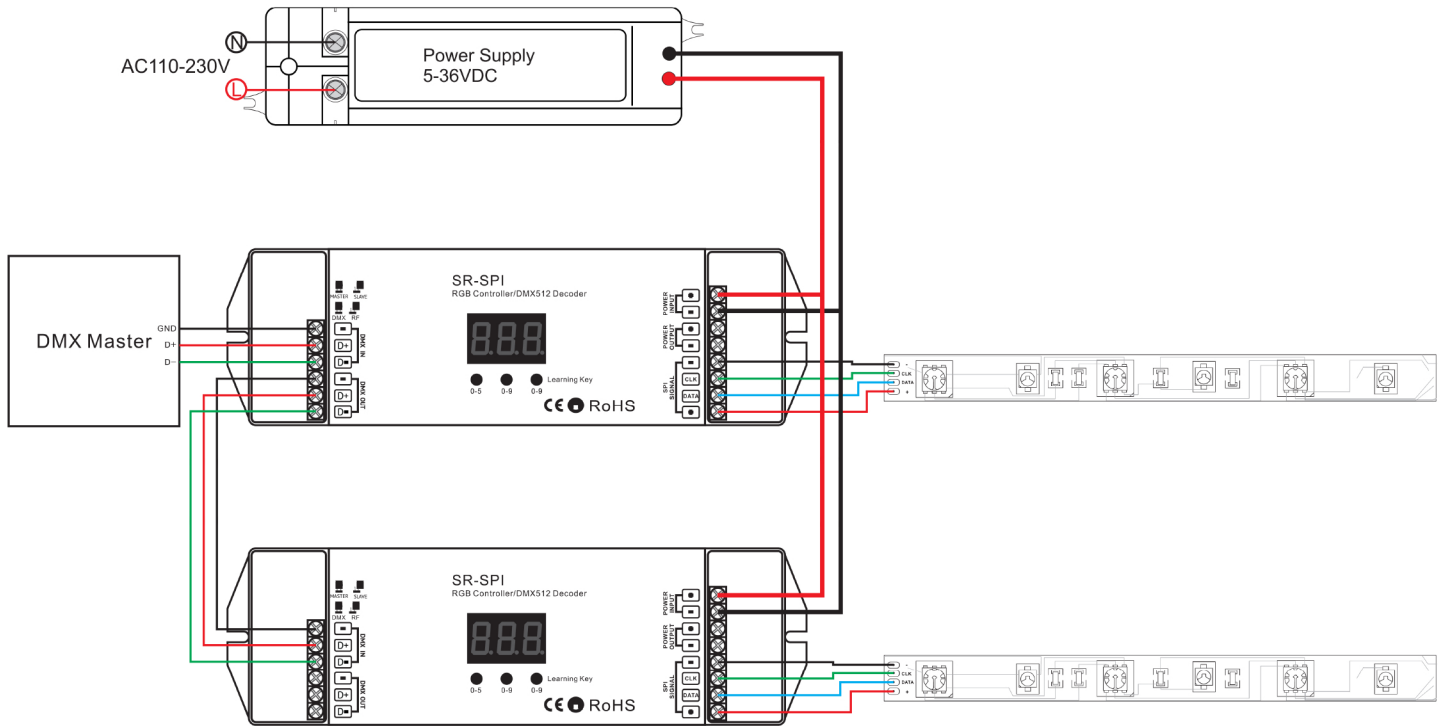


DMX



WIRING DIAGRAM




SPI



SMD Led strip 10mm RGB color

Connector :

- **Hippo-M MINI (IP20):** No soldering needed, operation can be done by normal clamp.
(Sold Separately)

Product Code	Type	Image
SRIB10-4P-SS	Strip to Strip Joint	
SRIB10-4P-SP22G150	Strip to Power	
SRIB10-4P-SB22G150	Strip to Strip Bridge	

Pluxb luminaires are developed with globally recognized and tested components suppliers, however as per international standards tolerance in initial flux and connected load is at $\pm 5\%$. Unless stated otherwise, the values apply to an ambient temperature of 25°C

Strip Light Assembly and Safety Information :

Installation must be carried out under observation of the relevant regulations and standards. The LED modules are designed for operation within a casing or luminaire. Installation must be carried out in a voltage-free state (i.e. disconnection from the mains).

The following advice must be observed; non-observance can result in the destruction of the LED assembly modules, fire and/or other hazards.

- The LEDLine Flex SMD must be operated with a constant-voltage (CV) LED converter.
- Operation only with power supply units that feature the following protection:
 - Short-circuit protection
 - Overload protection
 - Overheating protection
 - SELV (Safety Extra Low Voltage)
- It is imperative to pay attention to the correct polarity when connecting to the LED driver. Wrong polarity may destroy the strip.
- The maximum output of the power supply must be observed.
- Exceeding the max. operating voltage leads to an overload on the LED module. This may result in a reduction of service life or even destroy the LED module.
- The maximum recommended length of a single unit to be driven in series is 5 meters (one complete reel) to ensure consistent output along the complete length. It is possible to increase the total length driven from a single driver by adding additional lengths connected in parallel.
- LED modules and all PCB components must not be subjected to any undue mechanical stress.
- The LEDLine Flex modules must not be operated in rolled-up conditions.
- The circuit path must not be damaged or interrupted.

- During installation the bending radius must not fall below 60 mm. On sharp edges the LEDLine Flex SMD IP67 may only be bent at a position where no electronic components or solder parts are mounted. The module can be damaged if it is bent in a crosswise or twisted direction (prevent shear or pull-off forces).
- LEDLine Flex modules are suitable only for mounting on rigid and solid surfaces. The module must not be mounted on flexible substrates as the LED module would be damaged when the substrate bends.
- LEDLine Flex IP67 modules must be installed, handled and bent at a module temperature of between 10 °C to 50 °C.
- Do not use the IP67 LEDLine Flex module in the following environments:
 - Locations containing corrosive inflammable or oxidizing gases such as Cl, H₂S, NH₃, SO₂, NO_x, sulfur, etc.
 - Direct exposure to salt water or organic solvents
 - Exposure to direct sunlight
 - Highly airtight locations
 - Locations subjected to the effects of electric or magnetic fields, intense (continuous) vibration or shock.

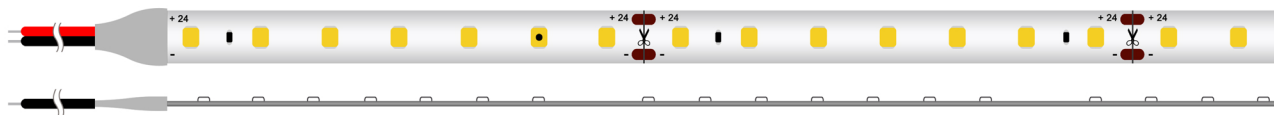
Pluxb luminaires are developed with globally recognized and tested components suppliers, however as per international standards tolerance in initial flux and connected load is at ±5%. Unless stated otherwise, the values apply to an ambient temperature of 25°C

Some Important Highlight points :

- ▶ IP20 : Do not press the surface of LED, Pay attention to damp -proof and dustproof.
 - ▶ IP65 : Do not use in strong water waves environment, Can be applied to rainy environment.
 - ▶ IP67 : Resist strong water waves impact, Do not apply to underwater environment for a long time.
 - ▶ IP68 : Can apply to underwater do not deeper than 1m, No direct sunlight.
-
- Do not tie a knot.
 - Do not winding.
 - Do not twist.
 - Do not cut when it is working,
 - Recommended the continuous working time do not exceed 12 hours daily.
 - Operating temperature : 20°C~+50°C
 - Storage temperature : 0°C~+60°C
 - Operated by professionals.
 - Pay attention to the application environment.
 - IP Level will change after cutting.
 - Do not pull and crash.
 - Power supply must be connected to ground (GND)
 - The minimum bending diameter 60mm
 - Power supply retain > 20%
 - Note the positive and negative poles.
-
- ▶ For cutting LED strip operation, it is necessary to use the standard accessories e.g. DC wire, end-cap, front-cap, adhesive, etc.), and according to the correct cutting and connecting method for the installation.

Pluxb luminaires are developed with globally recognized and tested components suppliers, however as per international standards tolerance in initial flux and connected load is at $\pm 5\%$. Unless stated otherwise, the values apply to an ambient temperature of 25°C

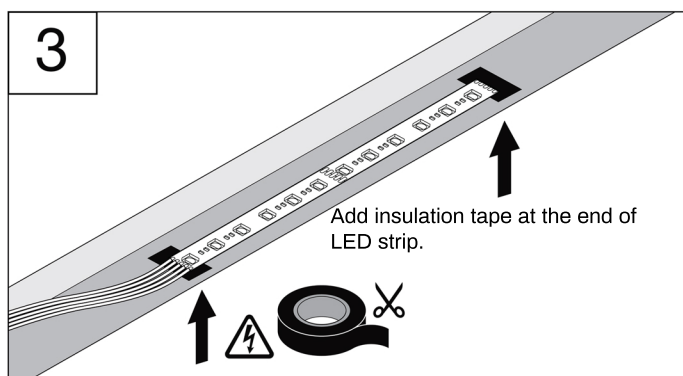
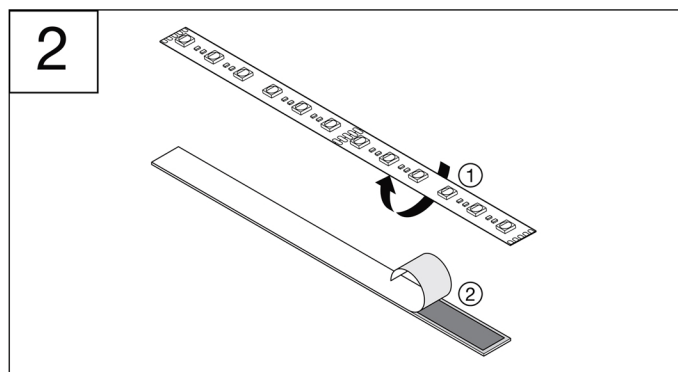
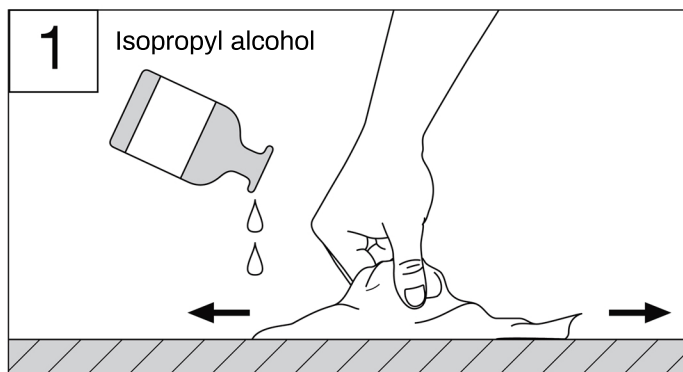
Installation Manual For strip light



Safety Information

- Wear anti-static wristbands with earthing terminal or anti-static gloves to handle the products.
- The LED module itself and all its components may not be mechanically stressed.
- Care should be taken to avoid damage to the conducting paths on the circuit board of the LED strip during assembly.
- Do not connect or disconnect the LED strip when the circuit is powered.
- Do not connect the LED strip to the power supply while it is in the packing.
- Please read the installation guide carefully for detailed installation planning.

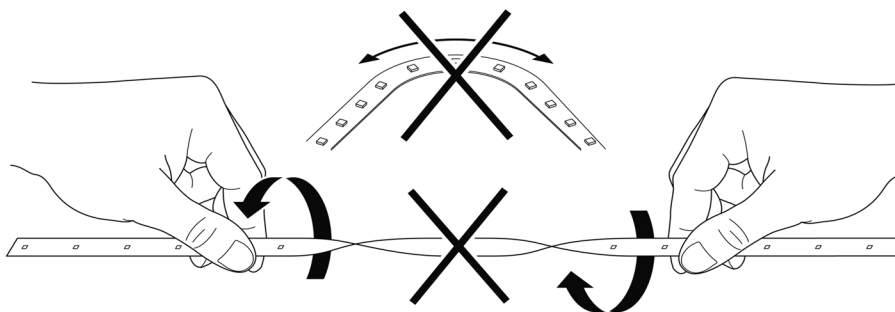
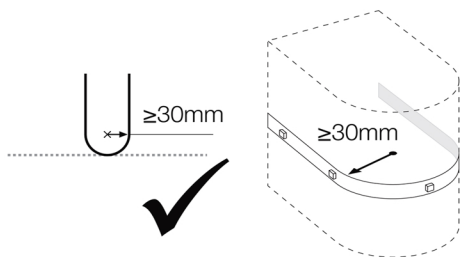
Mounting on surface



Do's and Don'ts

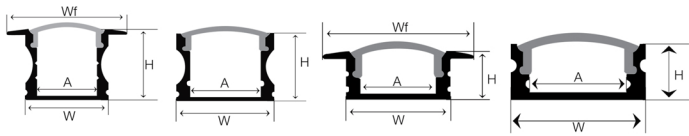
Minimum Bending Radius

Do not twist

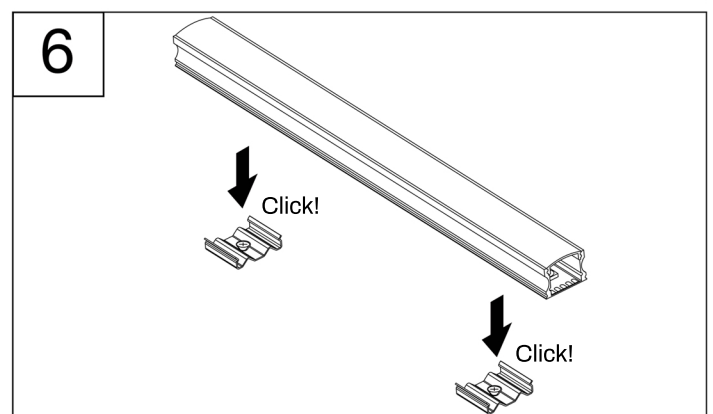
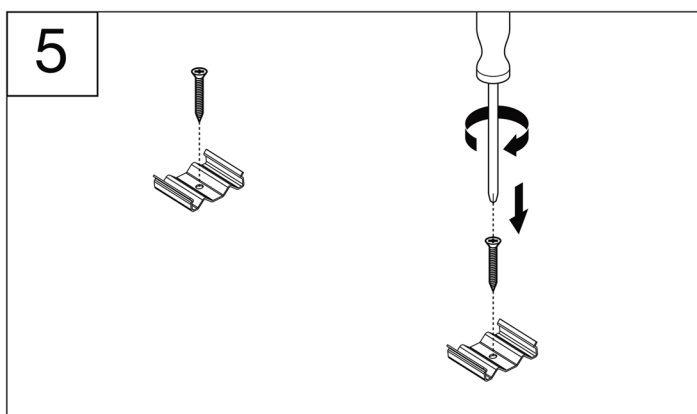
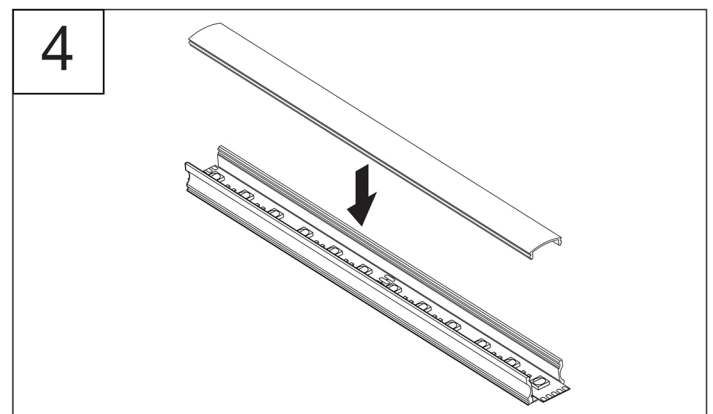
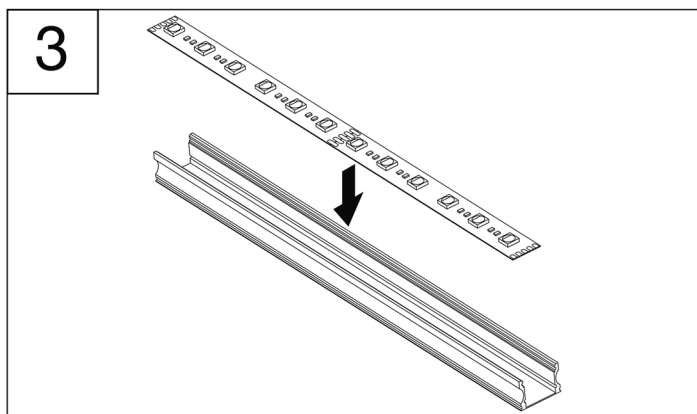
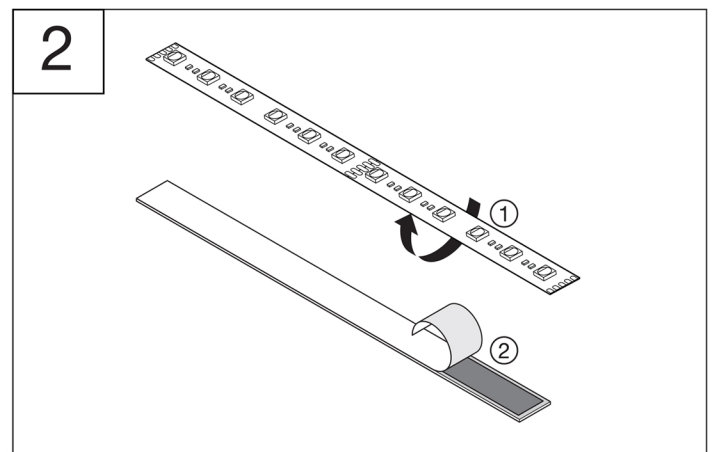
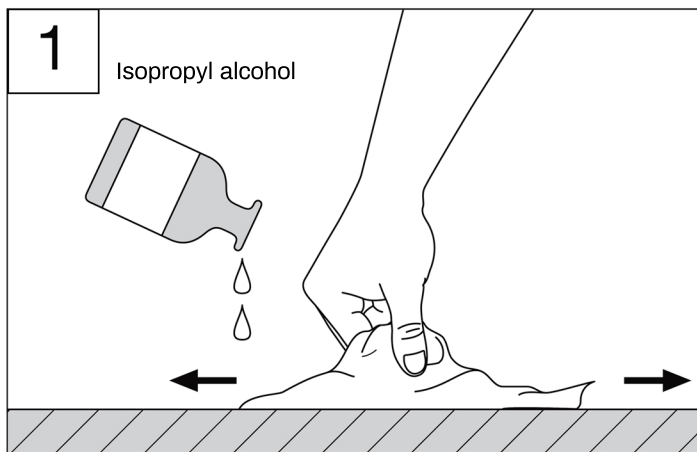
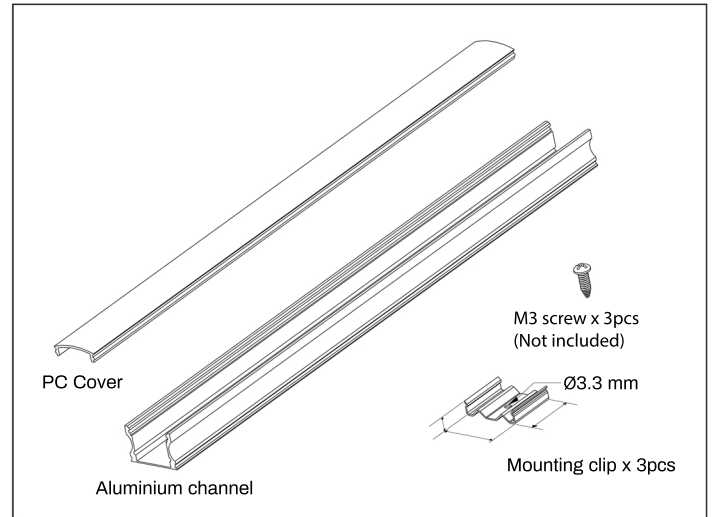


Pluxb luminaires are developed with globally recognized and tested components suppliers, however as per international standards tolerance in initial flux and connected load is at $\pm 5\%$. Unless stated otherwise, the values apply to an ambient temperature of 25°C

Mounting on U-channel

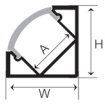


U-channel for Indoor

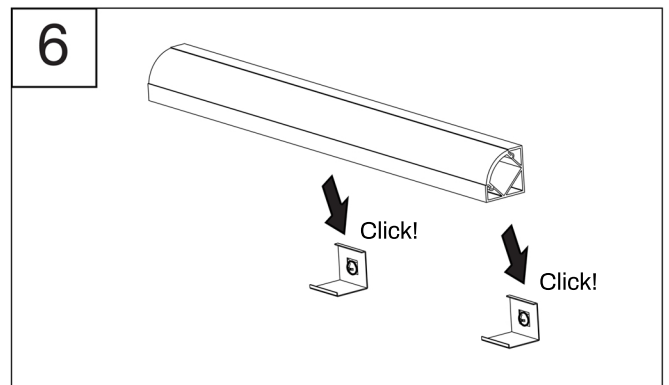
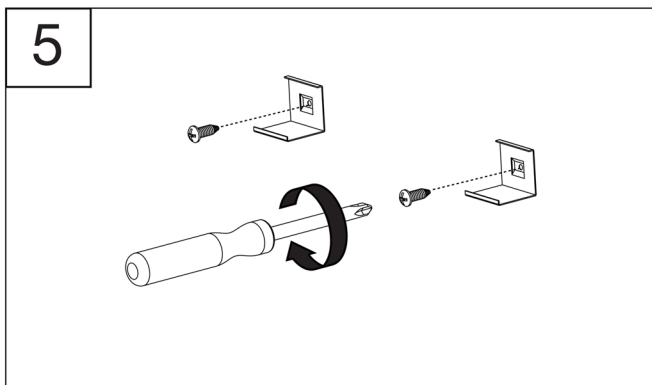
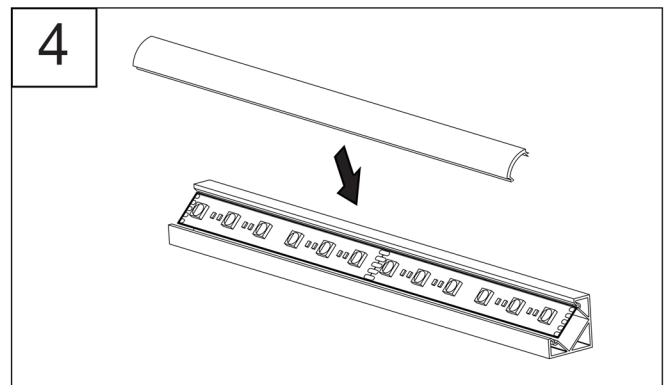
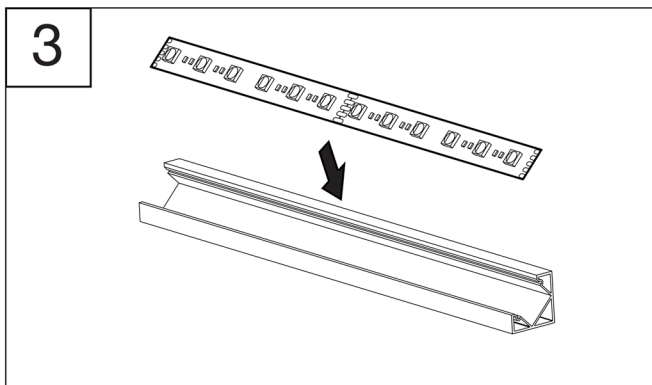
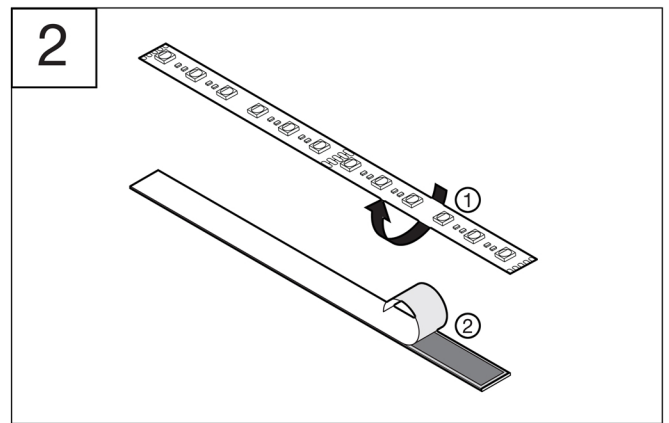
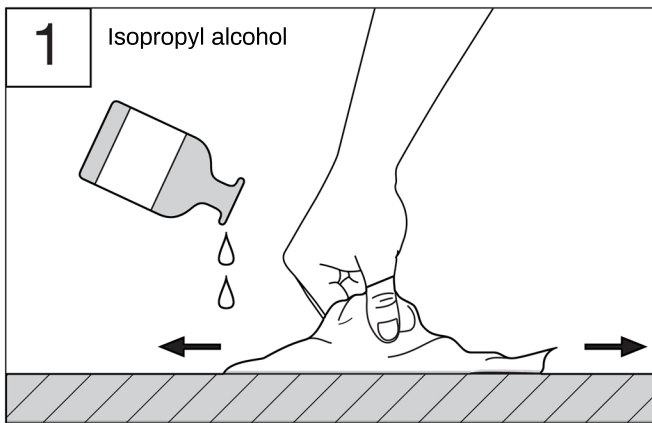
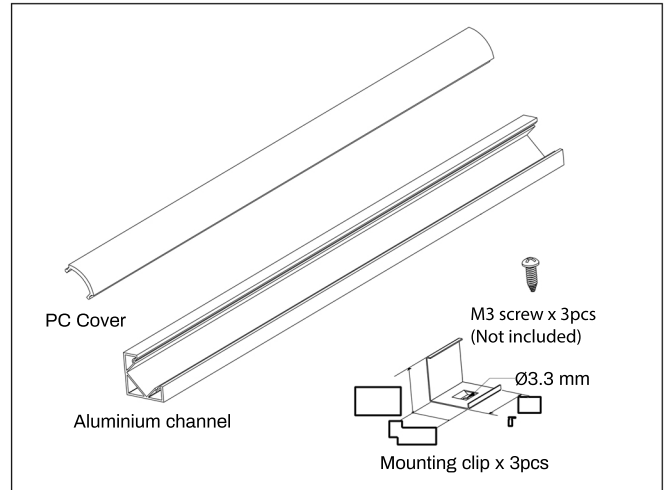


Pluxb luminaires are developed with globally recognized and tested components suppliers, however as per international standards tolerance in initial flux and connected load is at $\pm 5\%$. Unless stated otherwise, the values apply to an ambient temperature of 25°C

Mounting on V-channel



V-channel for Indoor



Pluxb luminaires are developed with globally recognized and tested components suppliers, however as per international standards tolerance in initial flux and connected load is at $\pm 5\%$. Unless stated otherwise, the values apply to an ambient temperature of 25°C