

JOMEI



Features:

- JOMEI highbay is constructed using aluminium Die-cast body design ensuring low LED junction temperature. Optimized aluminum alloy housing design for superior thermal management.
- Clear polycarbonate lens with no risk of lamp breaking for safe industry applications.
- High performance and reputable brand led chips and driver.
- Instant light up with no warm up time.
- No cool down needed before restart.
- High mechanical impact resistance and ingress protection rating.
- Compact in size and easy for transportation.
- Emergency and Sensor available on request.

Technical Specifications:

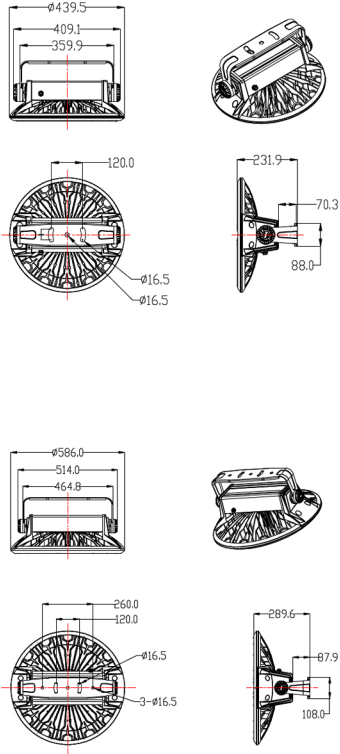
- Input Voltage: 100-277V AC, 50 Hz.
- Wattage: 400-960W
- High Lumen: 150lm/W
- 3 STEP Mac Adam
- High efficiency, low flicker driver
- Lamp Type: SMD
- Operating Temperature: -25°C to 55°C
- Warranty: 5 Years
- Life Time: 50,000hrs at ta 35°C (L80/B10)

Fields of Application :

- Airport
- Parking Lot
- Supermarket
- Indoors Stadium
- Logistics Center
- Warehouse & Workshop
- Highway Toll Station etc.

Installation Method :

- Suspended



Wattage(W)	:	400	480	670	800	960
Finish	:	Black(B)				
Kelvin*	:	2700K	3000K	4000K	5000K	5700K 6500K
Beam Angle	:	10°	25°	45°	60°	90°
CRI	:	70+	80+			
Driver	:	ON/OFF	0/1-10V	DALI		

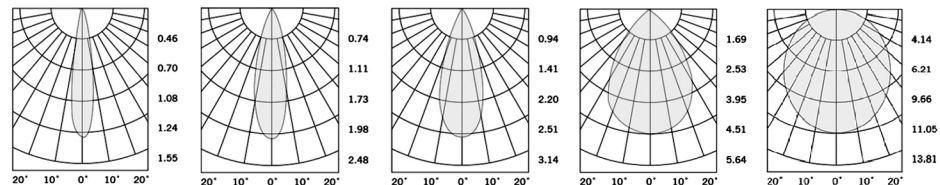
*Special Color and Finish on request

Product Code (969651960):

Wattage	Lumens(lm)	Dimension(ØxH) mm
400	60,000LM	440 X 232 mm
480	72,000LM	440 X 232 mm
670	100,500LM	586 x 290 mm
800	120,000LM	586 x 290 mm
960	144,000LM	586 x 290 mm

*Luminous flux value is calculated for 4000K CRI>80

Photometric:



Standards

- EN 60598-1
- EN 60598-2-2
- EN 60598-2-22
- EN 60598-3-2

Order Code Ex : 969651960 27K 10D 7 1 B

CCT	Beam Angle	CRI	Driver	Finish
27K-2700K	60D-60°	7->70 8->80	1 - ON/OFF 2 - 0/1-10V 3 - DALI	Black(B)
30K-3000K	90D-90°			
40K-4000K	110D-110°			
50K-5000K				
57K-5700K				
65K-6500K				

Pluxb luminaires are developed with globally recognized and tested components suppliers, however as per international standards tolerance in initial flux and connected load is at ±5%. Unless stated otherwise, the values apply to an ambient temperature of 25°C