

## FLORA WHITE



### DESCRIPTION:

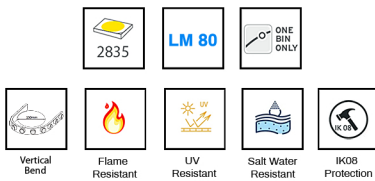
FLORA WHITE Flexible Wall Washer series constructed using Silicon extrusion process. Uniform, dot free light emission, good appearance consistency. Anti-yellowing, high temperature and corrosion resistance, weak acid and alkali resistance UV proof for true outdoor applications. Easy installation with clips and bendable track. Cuttable for Flexible application. Control mode : ON/OFF, DALI, Phase Cut, 0/1-10V.

### TECHNICAL DETAILS:

Power : 10W/M  
 Voltage : DC24V  
 Efficiency : 170lm/W  
 CRI >90  
 Length/Reel : 5M  
 Cutting length: 50mm  
 Led Qty : 24LEDs/M  
 Chip Type : SMD  
 Chip Brand : OSRAM / CREE  
 Driver Brand : VS / OSRAM  
 Working Temperature : -20~50°C  
 Storage Temperature : -30~80°C  
 Voltage Range : 23 ~25V dc  
 Reverse Voltage : 25V dc  
 Warranty : 5 years

### LUMENS PER METER:

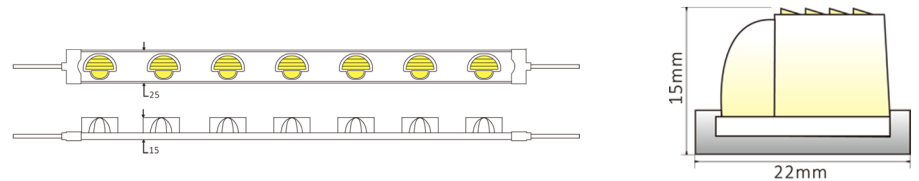
CCT	10W	OPTICS :
2700K	1590lm	10°x10°
3000K	1650lm	
4000K	1710lm	
5000K	1716lm	
5700K	1722lm	
6500K	1772lm	



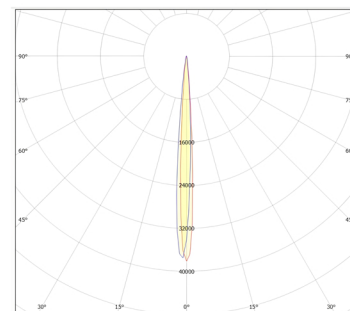
### INSTALLATION : Vertical Bend

Product Code : 7001522

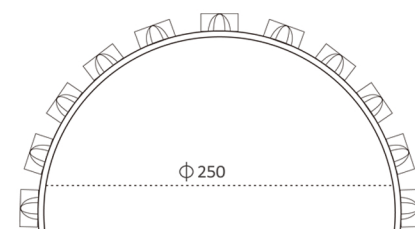
### DIMENSION:



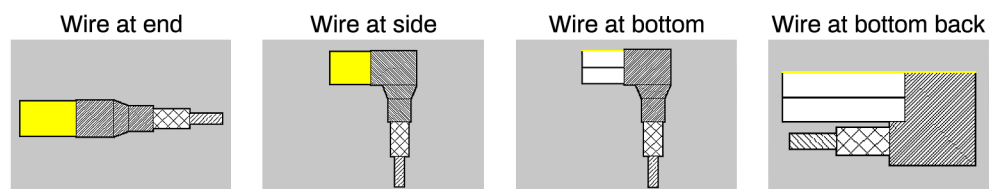
### LIGHT DISTRIBUTION:



### BENDING:



### End cap



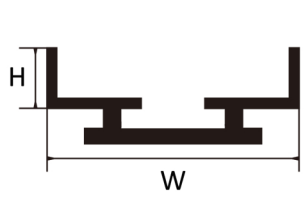
### Standards

- EN 60598-1
- EN 60598-2-2
- EN 60598-3-2

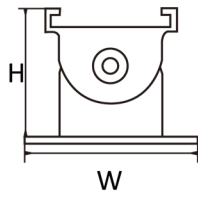
Order Code Ex :	7001522	10	27	10°x10°
Product Code	7001522	10	CCT	Optics
		10	27-2700K	10°x10°
			30-3000K	
			40-4000K	
			50-5000K	
			57-5700K	
			65-6500K	

Pluxb luminaires are developed with globally recognized and tested components suppliers, however as per international standards tolerance in initial flux and connected load is at ±5%. Unless stated otherwise, the values apply to an ambient temperature of 25°C

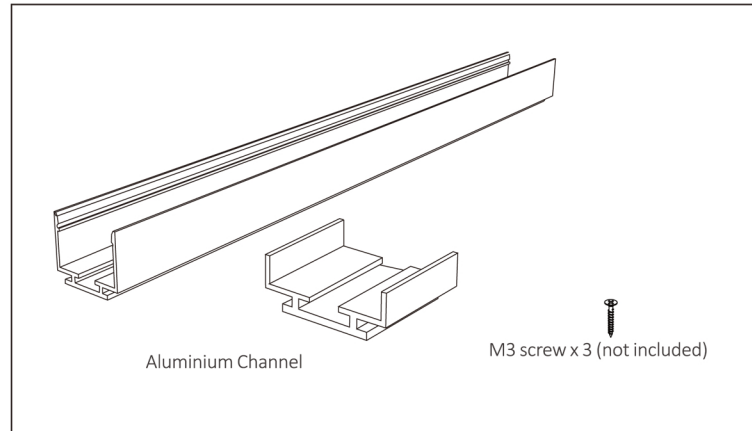
## Accessories installation diagram



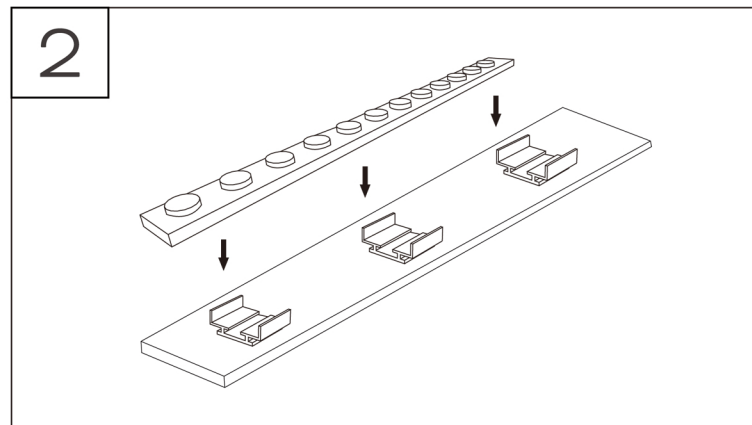
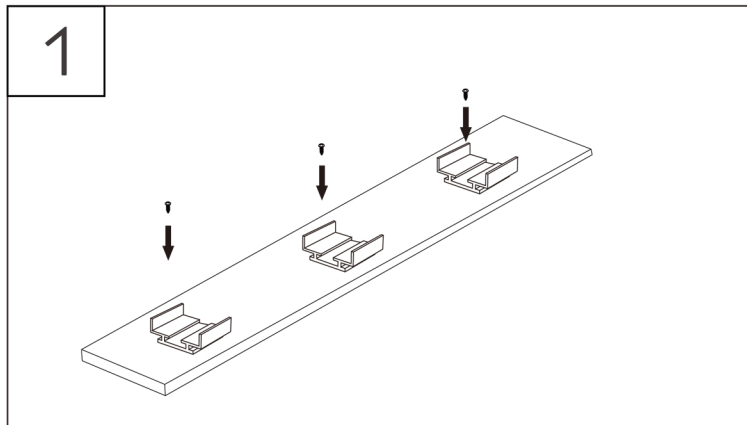
RL-2515-01



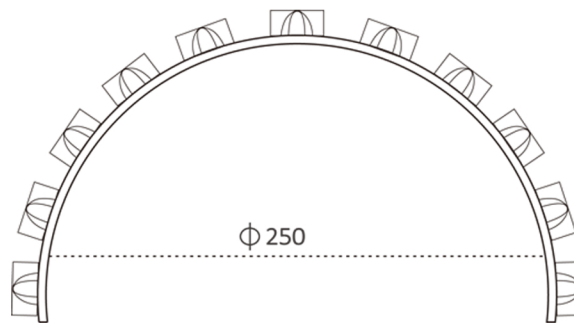
RL-2515-03



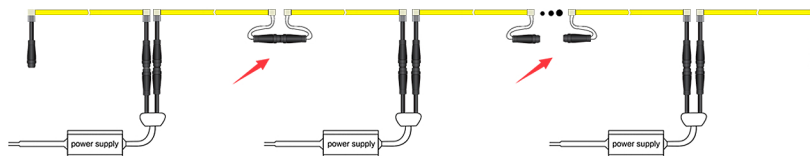
Description	W (mm)	H (mm)	Item Code
RL-2515-01	27	11	/
RL-2515-03	36	24	/



## ADDITIONAL INFO.



- ▶ Please light it up for a quick check before installation.
- ▶ Bending diameter of FLORA WHITE 1522 is 250mm for Horizontaly  
Do not bend too sharp or twist. If bend it wrongly, PCB inside will be damaged and the lighting fixture will not turn on.
- ▶ During installation, please make sure there are at least two workers to cooperate together and strictly follow the instruction manuals.
- ▶ Warranty: All LED light are warranted to be free from defects in product itself for 5 years from the date of purchase. This warranty does not cover failures due to abuse, misuse, improper handling, act of nature, negligence, normal wear, accidental damage, repairs made by the purchaser or incorrect voltage conditions.



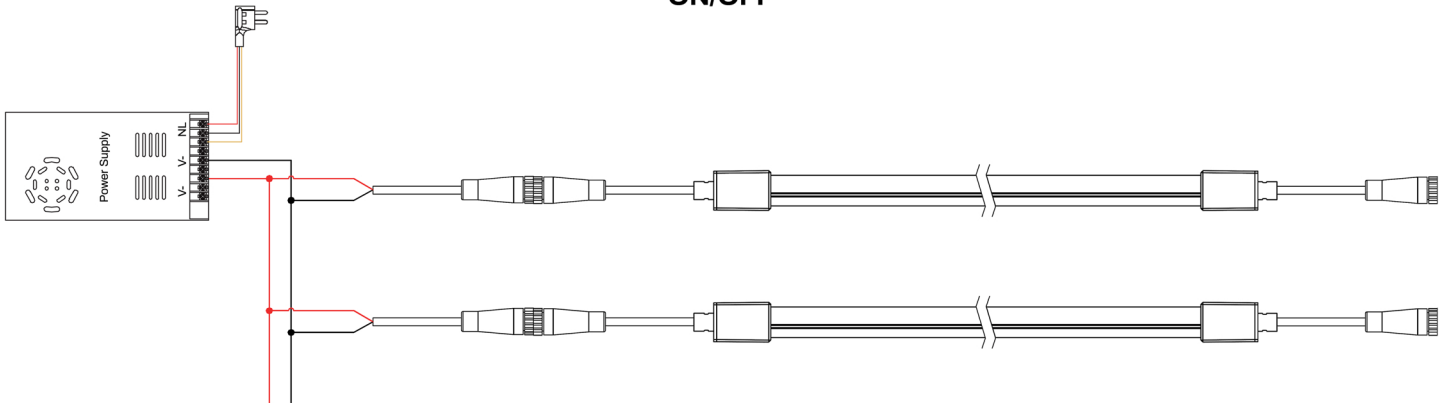
**Note:**

-12W/M Max. 10mtr run length to single side feed.

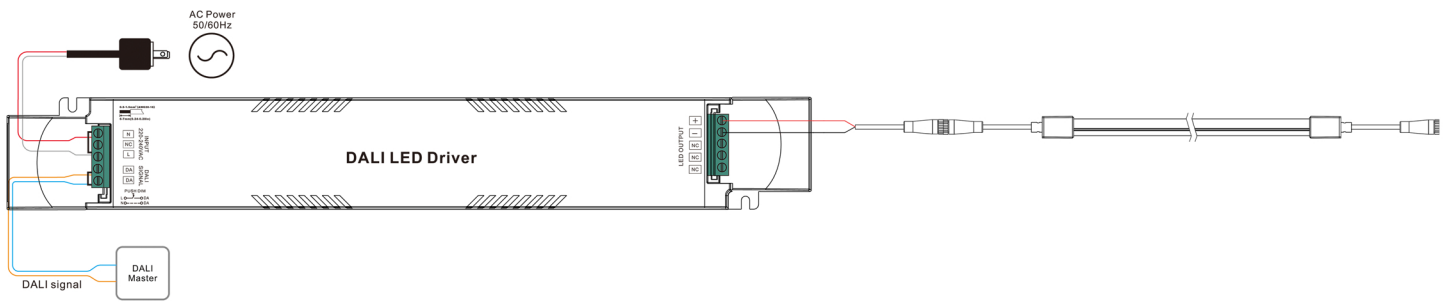
-The given data are typical values due to the tolerances of the production process and the electrical components, values for light output and electrical power can vary up to 5%.

# WIRING DIAGRAM

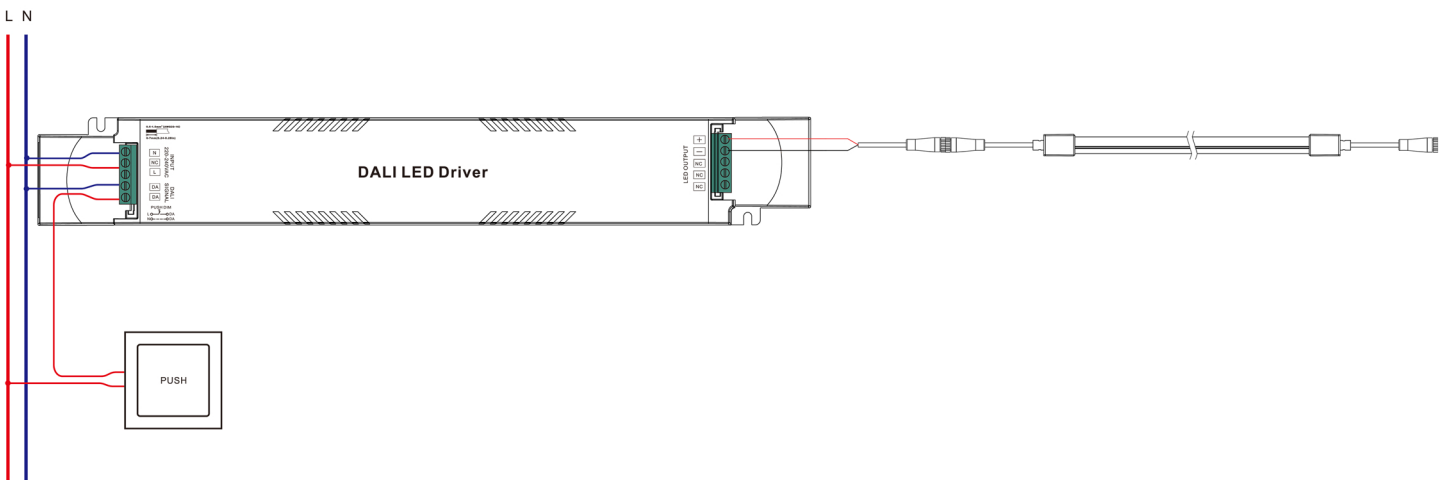
## ON/OFF



## 1. DALI

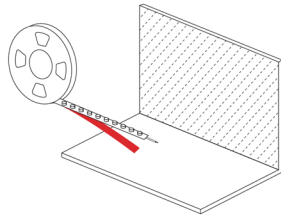


## 2. WITH PUSH DIM

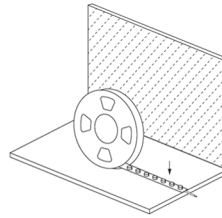


## GENERAL MOUNTING

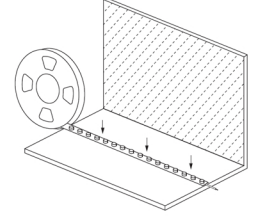
### Installation With back tape



Remove the product from the packaging box and tear off the tape on the back.

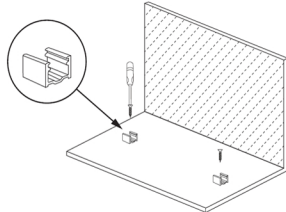


Install the product where you need it (ensure the wall is smooth), refer to the installation distance diagram for the specific glowing effect, and stick it firmly.

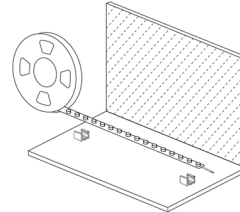


Connect the product to the low-voltage driver and energize it.

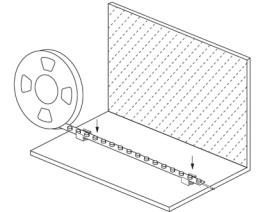
### Installation with stainless steel mounting clip



Remove the stainless steel mounting clips and screws from the packing box, and use a screwdriver to install these clips where needed.

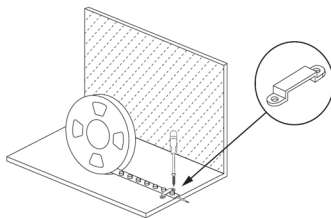


Take the light out of the box, then put the light into the clips and secured it (refer to the installation distance diagram for the specific glowing effect).

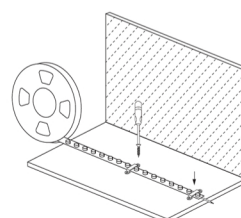


Connect the product to the low-voltage driver and energize it.

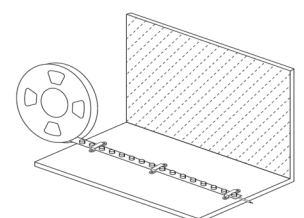
### Installation with Silicone Mounting Clip



Place the light where needed, and refer to the installation distance diagram for the specific glowing effect.

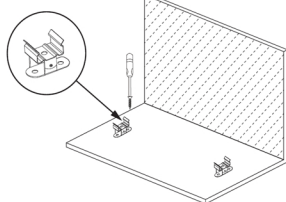


Remove the silicone mounting clips and screws from the package box, and fix these clips with a screwdriver.

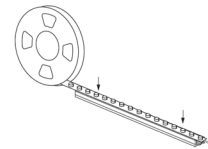


Connect the product to the low-voltage driver and energize it.

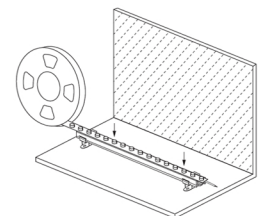
### Installation with Aluminum Profile



Remove the light, aluminum profile and rotating brackets from the box, and fix the rotating brackets to the needed position with a screwdriver.



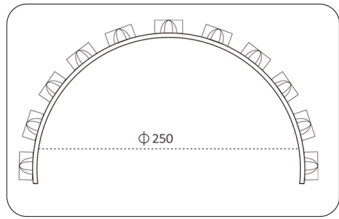
Put the light into the aluminum profile, and press the light down along the profile to ensure the light is tightly stuck into it. Then fasten the profile on the rotating brackets (according to the glowing angle requirements, the rotating bracket can be adjusted).



The specific glowing effect can be adjusted according to the needs of the application. After the installation, connect the light to the low-voltage driver and energize it.

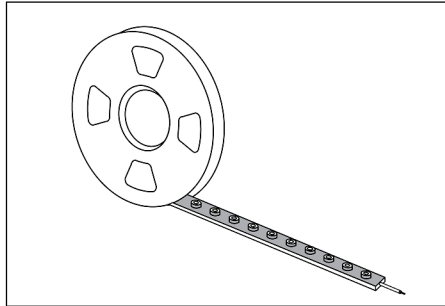
## INSTALL

### Attention

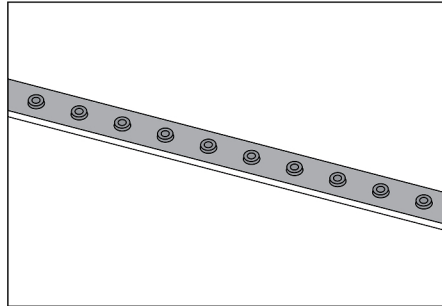


#### 1. Correct bending way

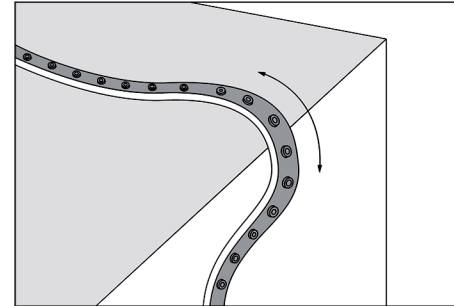
### Correct operation



During the installation process, the LED wall washer is taken out from the reel naturally and keep it as straight as possible.

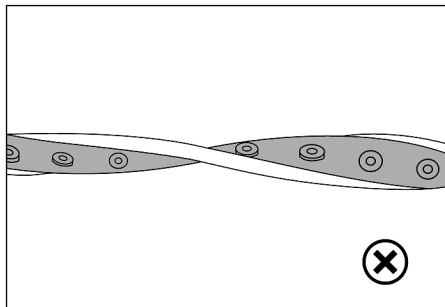


The LED wall washer should be kept vertical or horizontal during the installation process.

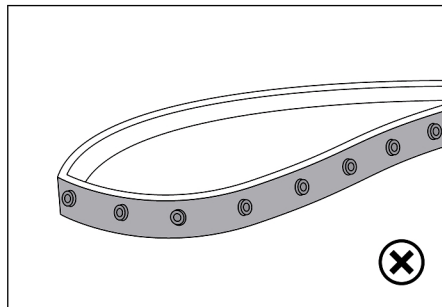


When LED wall washer meets the corner during the installation process, the LED wall washer must be kept facing up and the back facing down, maintaining a certain bending arc,  $\Phi \geq 150\text{mm}$ .

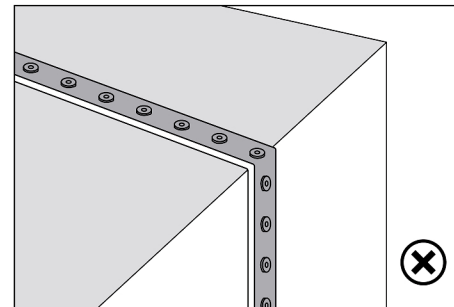
### Wrong operation



Do not twist the LED wall washer during the installation process.



Do not fold the LED wall washer in half or bend it at a small angle during the installation.



When the LED wall washer meets the corner during the installation process, the LED wall washer must be kept facing up and the back down, and it cannot be bent at right angles.

### Wrong operation

Step  
**01**

Use scissors to cut from the connection of two PCBs, as shown in Figure 1

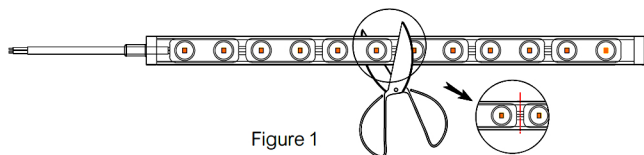


Figure 1

Step  
**03**

Butt-weld the power line and the light strip, pay attention to the positive and negative poles, and insulate the positive and negative poles, as shown in Figure 4:

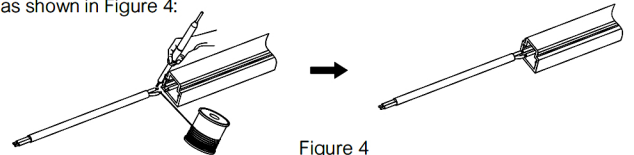


Figure 4

Step  
**02**

Fill the end cap with glue, and insert the light strip into the end cap. After installation, as shown in Figure 2:

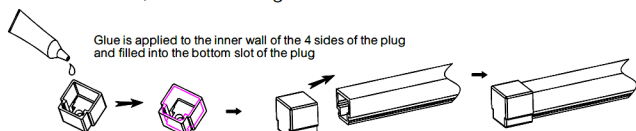


Figure 2

Step  
**04**

Insert the end cap into the wire, repeat the gluing procedure in Figure 2, and then insert the light strip into the end cap, as shown in Figure 5:

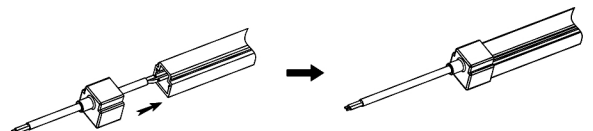


Figure 5