

## EDWIN



### Features:

EDWIN Flood light is constructed using Extrusion Aluminium Die cast body Cold Forging technology with by ADC12, high Thermal Conductivity. High mechanical strength, excellent thermal management. Optical Polycarbonate Lenses provide high impact resistance and multiple lighting Distributions. Racket Angle allows for precise installation, up to 270°. Integrated copper breather valve, balance internal and external temperature and humidity. It offers intense brightness, narrow and wide coverage and durability. Excellent protection against dust and water ingress, suitable for harsh environments also strong impact resistance, ideal for areas prone to vandalism or accidental damage.

### Technical Specifications:

Wattage : 30-300W  
 Input Voltage : 100-277V AC 50/60Hz  
 High Lumen : 150lm/W  
 3 STEP Mac Adam  
 Meanwell / Philips / Sosen  
 Lamp Type : 3030 Lumiled SMD  
 Operating Temperature: -20°C to 55°C  
 Warranty : 5 Years  
 Life Time : 60,000hrs at ta 35°C L80 / B10

### Fields of Application :

Facad  
 Airport  
 Stadium  
 Parking Lot  
 Sport Venue  
 Tower Crane  
 Landscape etc

### Installation Method :

Surface Mounted



Wattage(W)	:	30	50	100	150	200	240	300
Finish	:	Black(B)	Grey(G)					
Kelvin*	:	2700K	3000K	4000K	5000K	5700K	6500K	
Beam Angle	:	25°	45°	60°	90°	70°*150°		
CRI	:	70+	80+					
Driver	:	ON/OFF		0/1-10V		DALI		

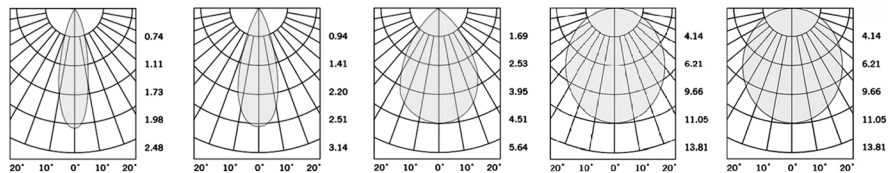
\*Special Color & Finish on request

### Product Code (545486300):

Wattage	Lumens(lm)	Dimension(mm)
30	7,500LM	201x193x46
50	9,000LM	247x237x47
100	15,000LM	301x280x55
150	18,000LM	358x320x61
200	22,500LM	412x366x63
250	27,000LM	486X406X69
300	45,000LM	486X406X69

\*Luminous flux value is calculated for 4000K CRI>80

### Photometric:



### Standards

EN 60598-1

EN 60598-2-2

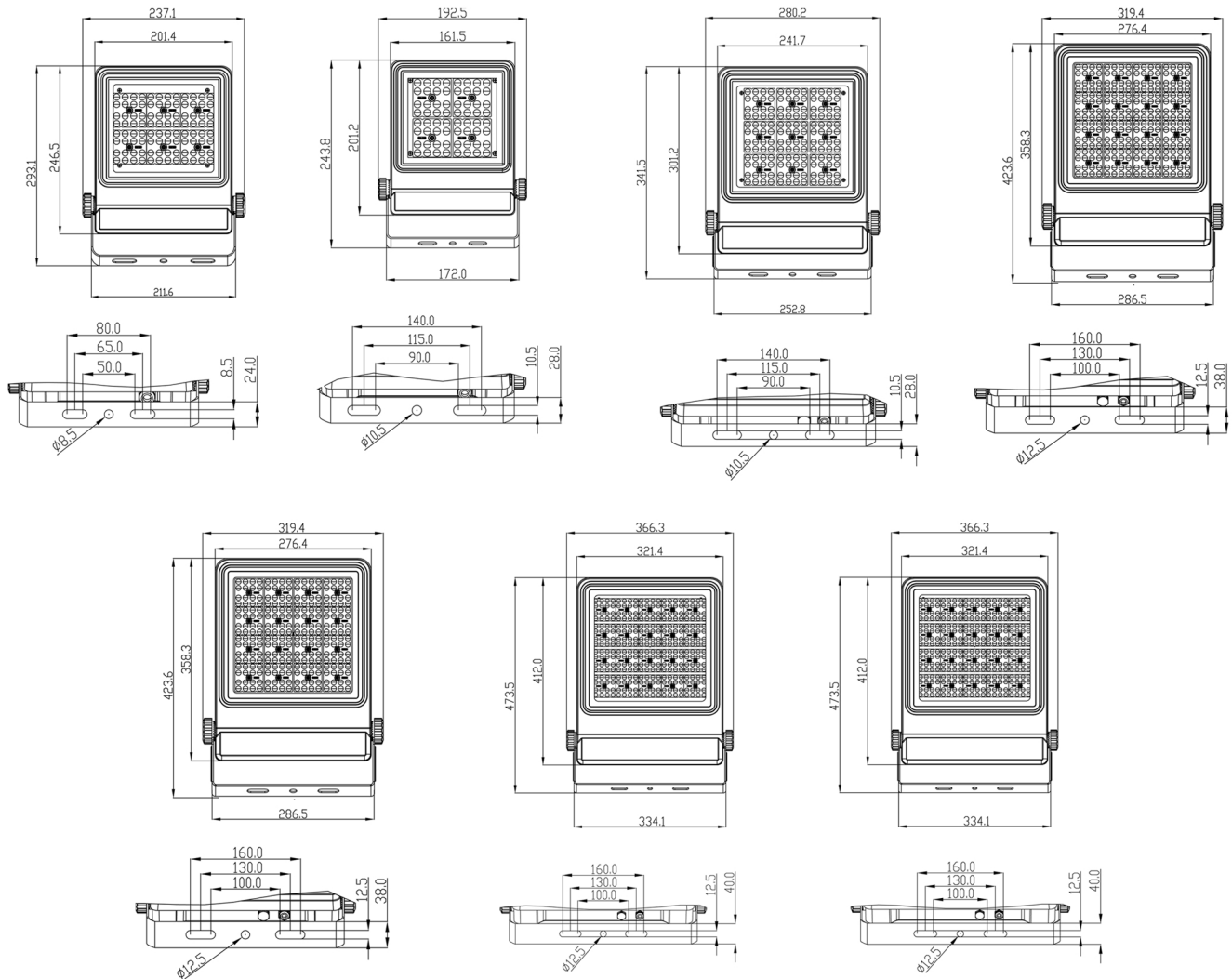
EN 60598-3-2

Order Code Ex : 545486300 27K 25D 8 1 B

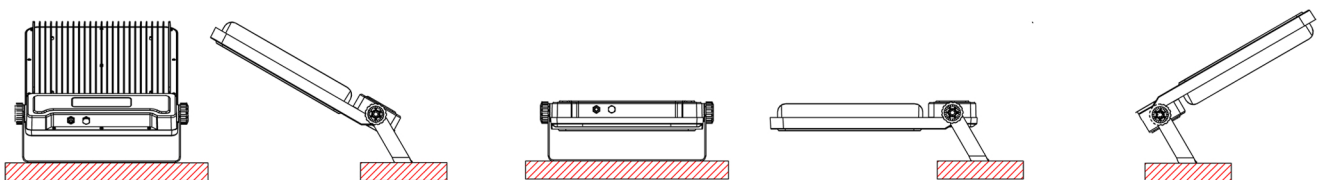
CCT	Beam Angle	CRI	Driver	Finish
27K-2700K	25D-25°	7->70 8->80	1-ON/OFF 2-0/1-10V 3-DALI	Black(B)
30K-3000K	45D-45°			Grey(G)
40K-4000K	60D-60°			
50K-5000K	90D-90°			
57K-5700K	70°*150D-70°*150°			
65K-6500K				

Pluxb luminaires are developed with globally recognized and tested components suppliers, however as per international standards tolerance in initial flux and connected load is at ±5%. Unless stated otherwise, the values apply to an ambient temperature of 25°C

# MECHANICAL DRAWING



# INSTALLATION



Pluxb luminaires are developed with globally recognized and tested components suppliers, however as per international standards tolerance in initial flux and connected load is at  $\pm 5\%$ . Unless stated otherwise, the values apply to an ambient temperature of  $25^{\circ}\text{C}$