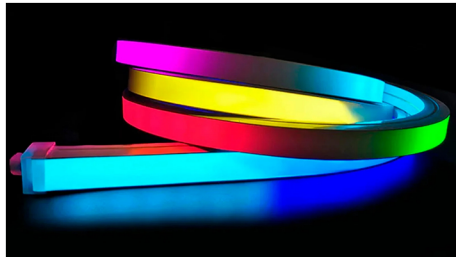


AQUA RGB DMX



DESCRIPTION:

AQUA RGB DMX vertical bend series constructed using Silicon extrusion process. Uniform, dot free light emission, good appearance consistency. Anti-yellowing, high temperature and corrosion resistance, weak acid and alkali resistance UV proof for true outdoor applications. Easy installation with clips and bendable track. Cuttable for Flexible application. Control mode : DMX

TECHNICAL DETAILS:

Power : 20W/M
 Voltage : DC24V
 CRI >90
 Length/Reel : 5M/10M
 Cutting length: 83.3mm
 Led Qty : 84LEDs/M
 Pixels : 12 pixels/M
 Working Temperature : -25~55°C
 Storage Temperature : -30~80°C
 Voltage Range : 23 ~25V dc
 Reverse Voltage : 25V dc
 Warranty : 5 years

LUMENS PER METER:

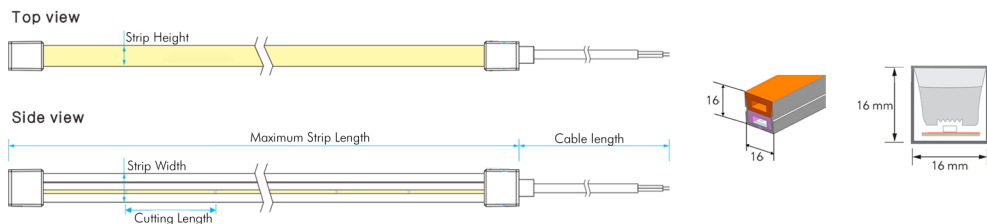
CCT	RGB
20W	380lm



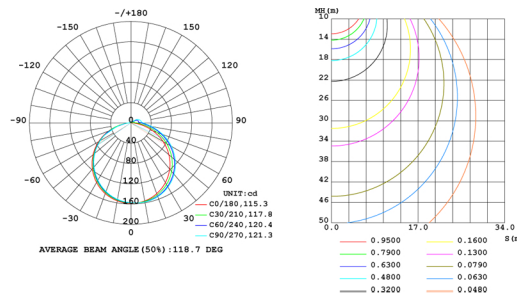
INSTALLATION : Vertical Bend

Product Code : 8951616

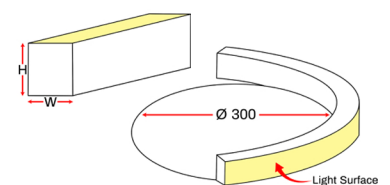
DIMENSION:



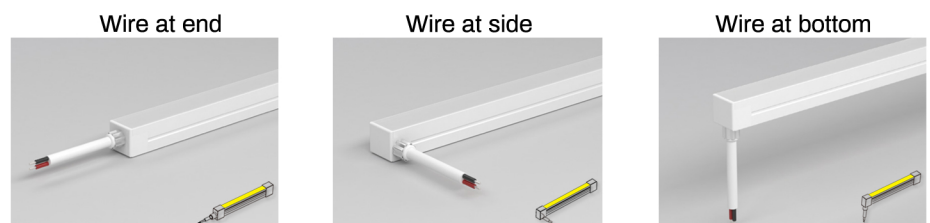
LIGHT DISTRIBUTION:



BENDING:



End cap



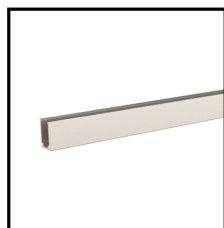
Standards

- EN 60598-1
- EN 60598-2-2
- EN 60598-3-2

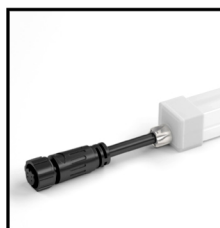
Order Code Ex : 8951616 20 93
 Product Code Power CCT
 8951616 | 20-20W | 93-RGB DMX

Pluxb luminaires are developed with globally recognized and tested components suppliers, however as per international standards tolerance in initial flux and connected load is at ±5%. Unless stated otherwise, the values apply to an ambient temperature of 25°C

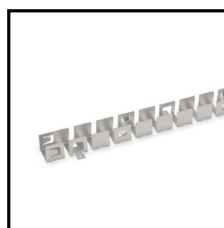
ACCESSORIES



Aluminium Profile
 Order Code: 8951616-01
 Dimension: L1000xW20.5xH17.6mm
 Material: aluminium
 Color: silver



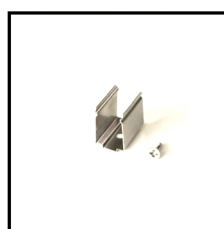
End Cap 5PIN Digital
 Order Code: 8951616-06
 Color: white
 Cable entry: front/side/bottom
 Picture: front



Curved Profile
 Order Code: 8951616-02
 Dimension: L500xW17xH15mm
 Material: stainless steel
 Color: silver



Closed End Cap
 Order Code: 8951616-07
 Material: silicone
 Color: white



Mounting Clips
 Order Code: 8951616-03
 Dimension: L20xW16.6xH12.4mm
 Material: stainless steel
 Color: silver
 Each meter led strips needs
 2 clips + 2 screws



IP67 Signal Connector
 Order Code: 8951616-08
 Wire Gauge: 0.326mm²/22AWG
 Protection: IP67 (Mated)



IP67 Connector 5PIN Digital
 Order Code: 8951616-04
 Wire gauge: 0.326mm²/22AWG
 Protection: IP67 (Mated)



IP67 T Type Connector
 Order Code: 8951616-09
 Wire Gauge: 0.326mm²/22AWG
 Protection: IP67 (Mated)

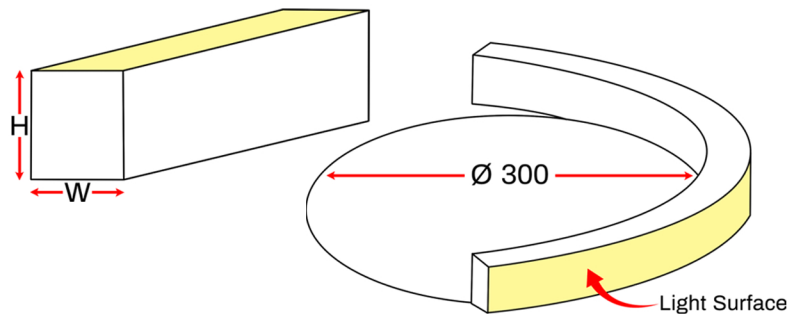


IP67 Connector 5PIN Digital
 Order Code: 8951616-05
 Wire gauge: 0.326mm²/22AWG
 Protection: IP67 (Mated)

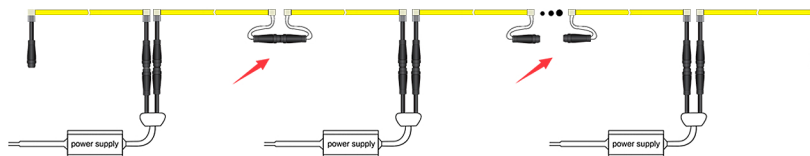


Scissor
 Order Code: 8951616-10

ADDITIONAL INFO.



- ▶ Please light it up for a quick check before installation.
- ▶ Bending diameter of AQUA RGB DMX 1616 is 300mm, do not bend to side direction, or bend too sharp or twist. If bend it wrongly, PCB inside will be damaged and the lighting fixture will not turn on.
- ▶ During installation, please make sure there are at least two workers to cooperate together and strictly follow the instruction manuals.
- ▶ Warranty: All LED light are warranted to be free from defects in product itself for 5 years from the date of purchase. This warranty does not cover failures due to abuse, misuse, improper handling, act of nature, negligence, normal wear, accidental damage, repairs made by the purchaser or incorrect voltage conditions.



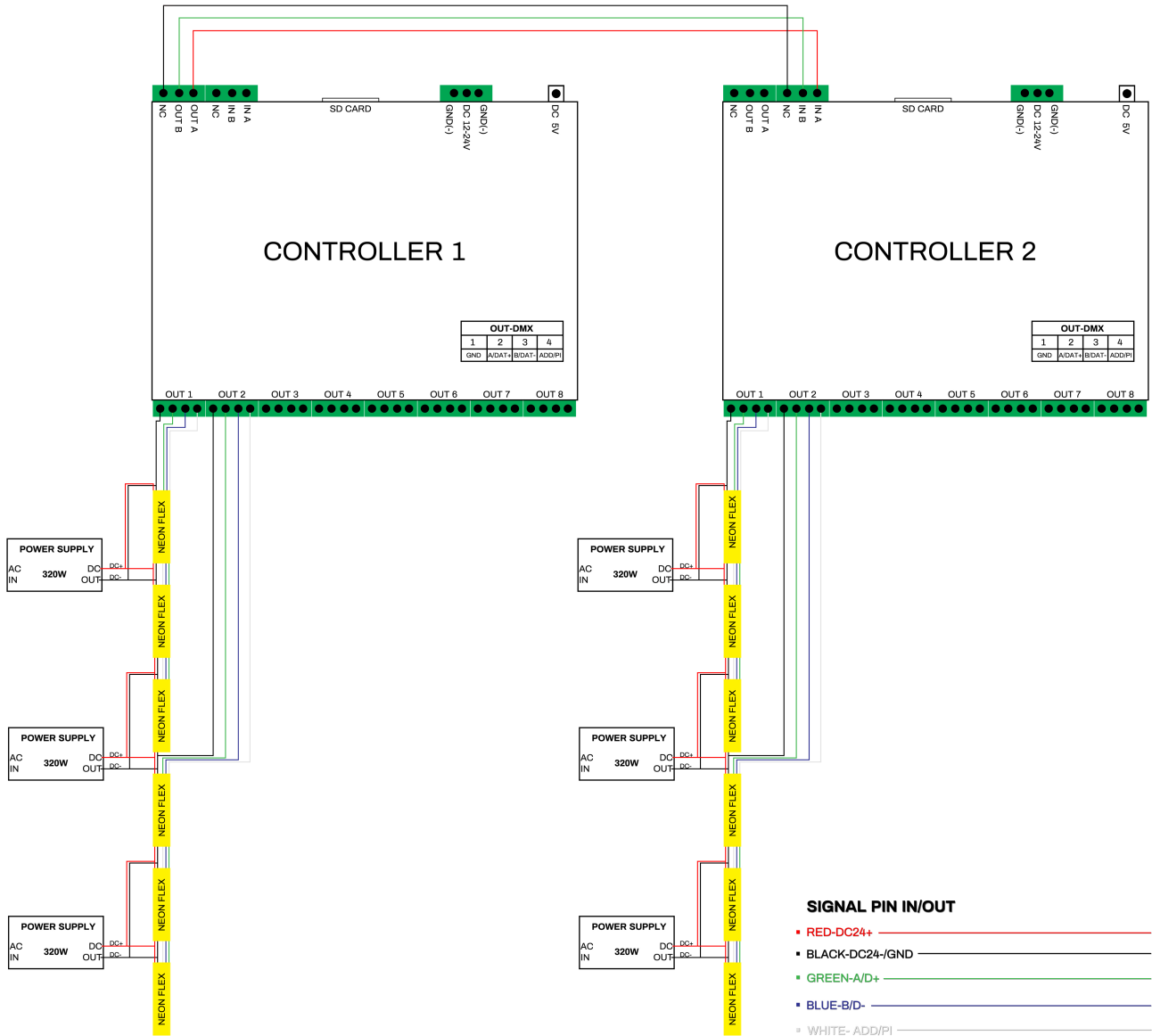
Note:

20W/M Max. 7mtr run length to double side feed.

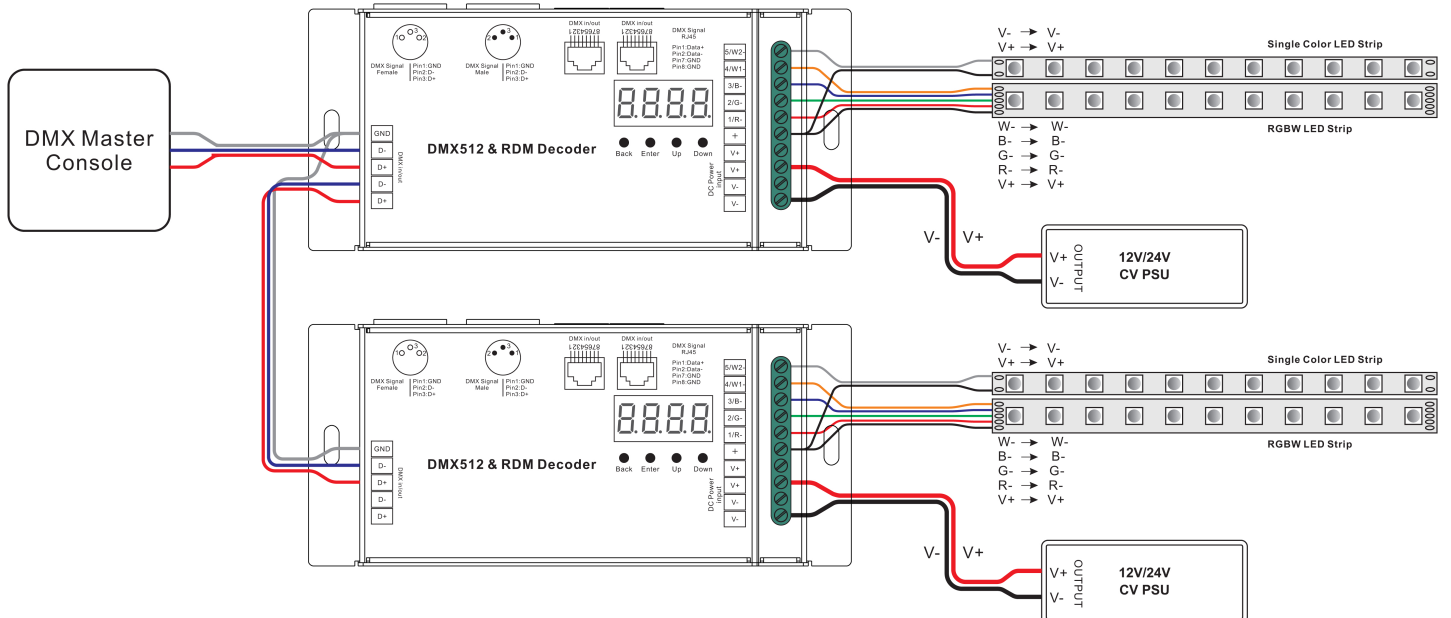
-The given data are typical values due to the tolerances of the production process and the electrical components, values for light output and electrical power can vary up to 5%.

WIRING DIAGRAM

DMX



DMX

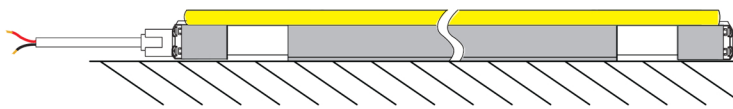
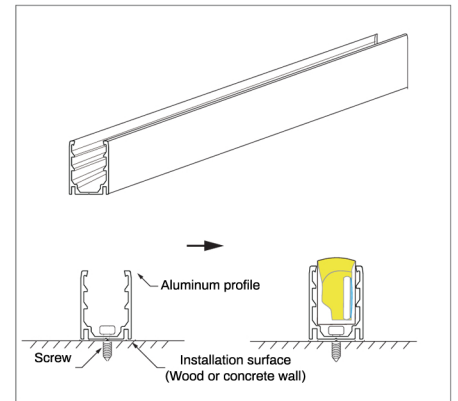


GENERAL MOUNTING

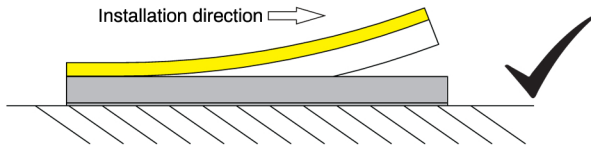
LED neon flex can be fastened to surfaces using appropriate accessories available from distributor. Please refer to data sheets or contact technical support for a copy. The use of glues and resins as fixing agents should be avoided. Use of glues and resins may invalidate the warranty of the product unless its use is agreed in writing by distributor as part of a detailed project specification.

The images indicate one type of fixing available in the accessories range. The different fixings serve obvious purposes, however when in doubt technical support should be contacted.

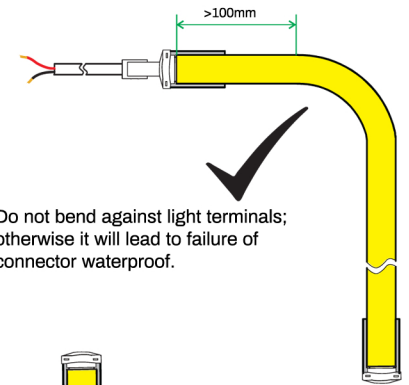
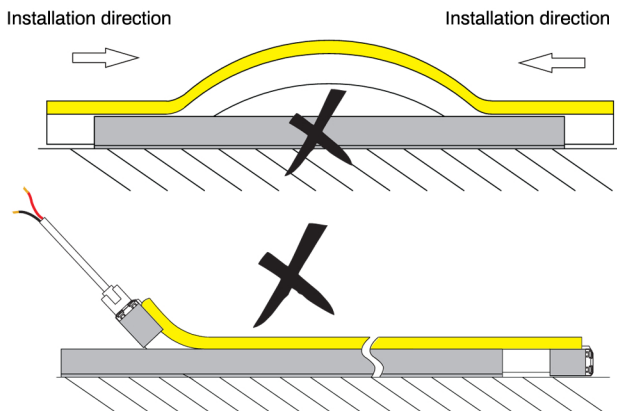
Quantities of accessories and fixings are dependent on the type and its effect on the variant it's being used with. Care should be taken to ensure drooping is avoided, and to ensure that is fastened adequately to avoid stresses on itself.



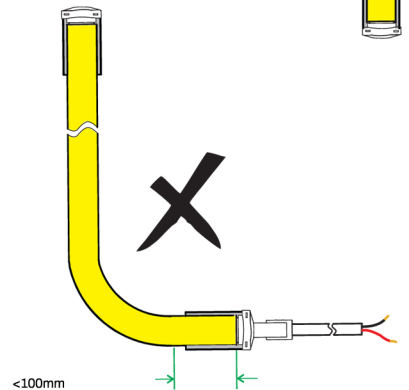
Press the flex light into mounted aluminum channel in one direction.



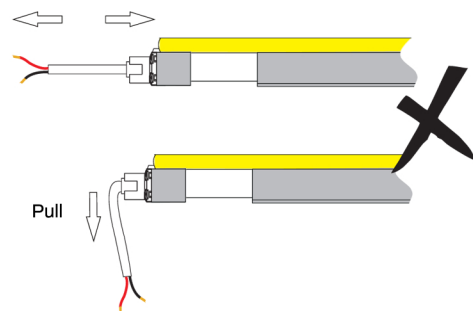
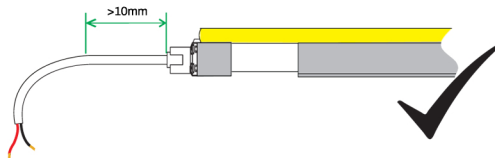
Incorrect installation like below picture could lead to light failure.



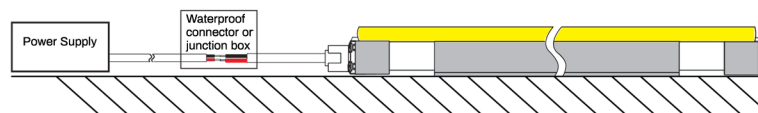
Do not bend against light terminals; otherwise it will lead to failure of connector waterproof.



Ensure the feeding cable not bear force, keep the head 10mm in natural loose.

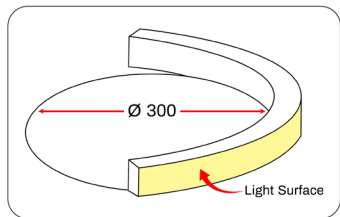


Mount the cable junction in hermetic enclosure like waterproof junction box in outdoor application.



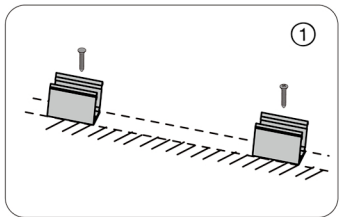
INSTALL

Attention



1. Correct bending way

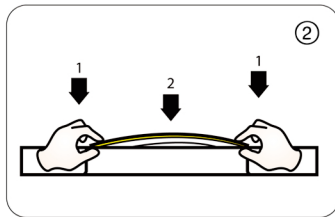
Intallation



1. Installation of clip

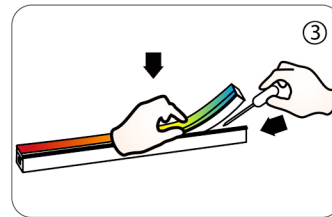
Fix the clips and aluminum profile via the screws

⚠ Suggestion: 2pcs clips per meter.



2. Installation of Neon

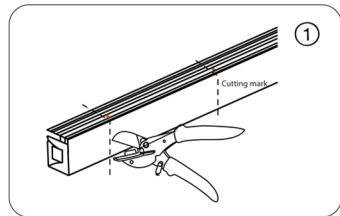
Simultaneously install the neon from both ends



3. Installation of Neon

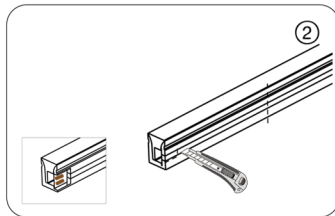
Should use tools to assist when remove the neon

Cutting/Soldering/Intall end cap

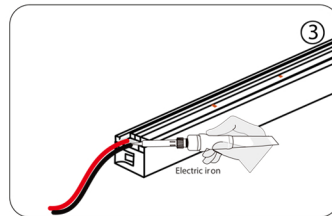


1. Cut the neon to be required length

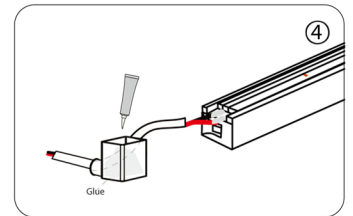
⚠ The minimum cutting unit is based on the cutting mark.



2. Cut the side of neon, expose the soldering pad

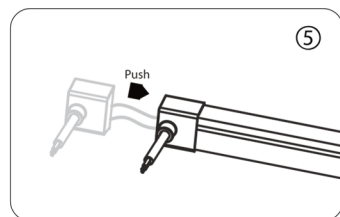


3. Solder the cable onto the PCB



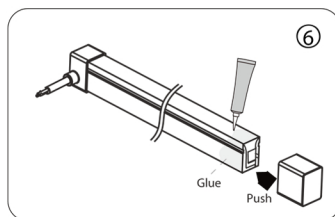
4. Put the wire into and inject glue into the end cap

⚠ The amount of glue is about 1/3-1/2 of end cap



5. Push the end cap to wrap end of neon

⚠ After the glue is injected, the neon needs to be laid flat for 2 hours to before other process.



6. Apply gel around the tail of neon and install the end cap

⚠ After the glue is injected, the neon needs to be laid flat for 2 hours to before project process. Glue will complete dry after 24hours.

